





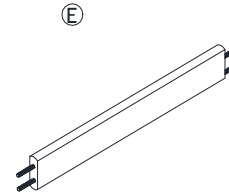
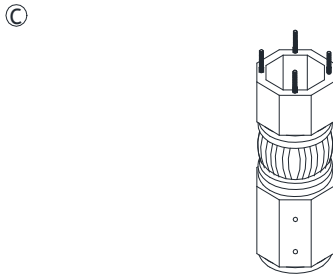
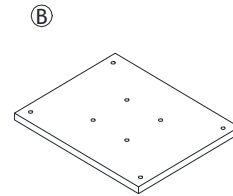
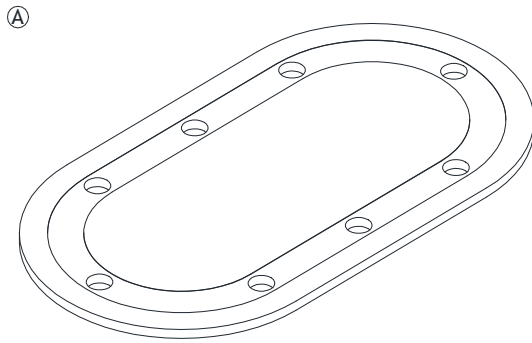


## MODEL:GTBL 84-84" TEXAS HOLD'EM POKER TABLE

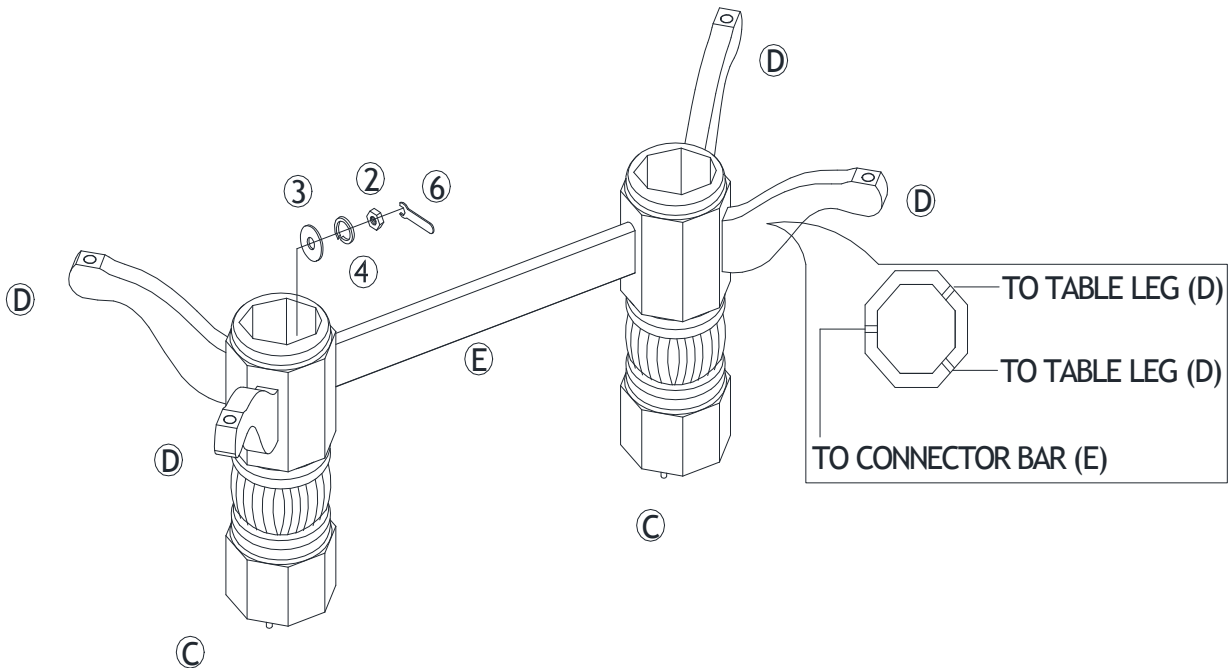
Read this instruction carefully.Refer hardware and furniture parts list for guidance.Be sure all parts are complete,before assembling.Place all wooden furniture part on a clean and flat soft surface to prevent scratches.Refer steps provided as assembling guide

| PART LIST |               |      |
|-----------|---------------|------|
| ITEM      | DESCRIPTION   | QTY  |
| A         | Table Top     | 1PC  |
| B         | Wood Panel    | 2PCS |
| C         | Table Base    | 2PCS |
| D         | Table leg     | 4PCS |
| E         | Connector Bar | 1PC  |

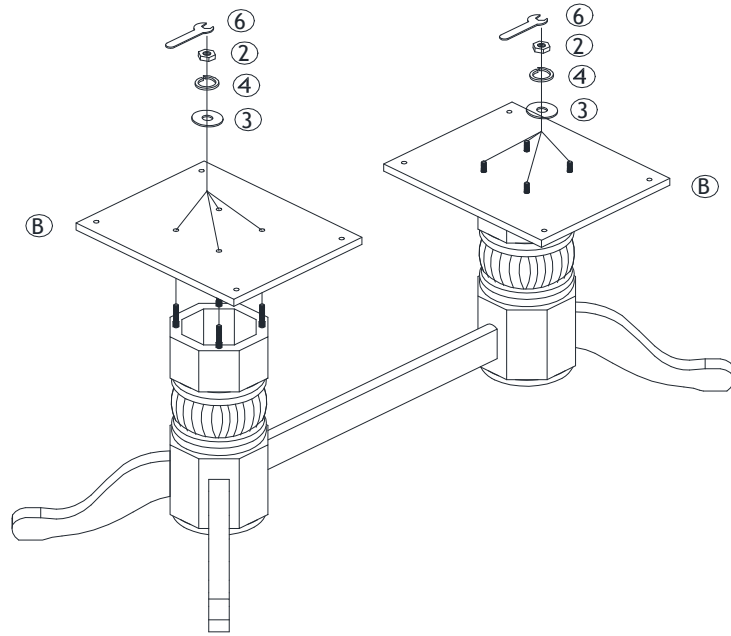
| PART LIST |  |       |
|-----------|--|-------|
| ITEM      | DESCRIPTION  | QTY   |
| 1         | Bolt (5/16"*1-3/4")       | 8PCS  |
| 2         | Hex Nuts                  | 20PCS |
| 3         | Metal Washers (Dia 16mm)  | 28PCS |
| 4         | Lock Washers (Dia5/16")   | 28PCS |
| 5         | Allen Wrench              | 1PC   |
| 6         | Spanner                   | 1PC   |



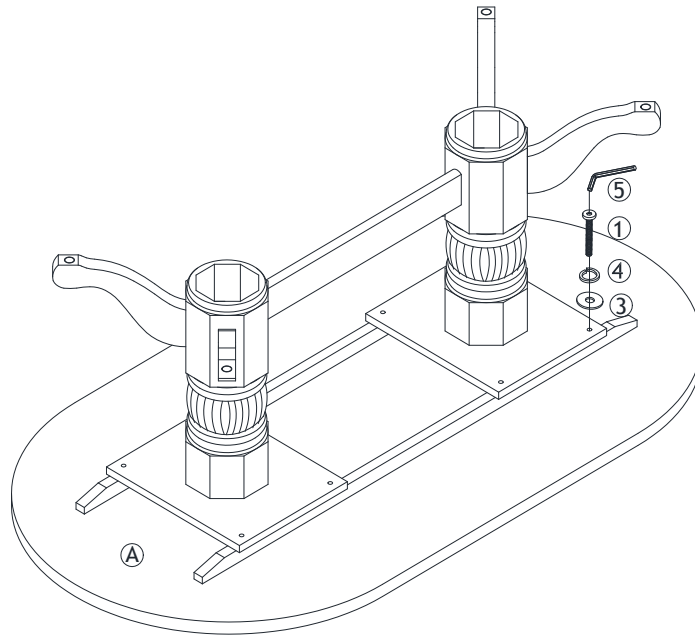
### STEP 1



STEP 2



STEP 3



STEP 4

