
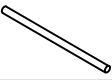




MODEL:FR60 - FOOT RAIL FOR 60" DRY BAR

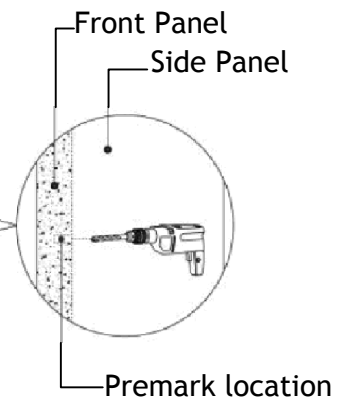
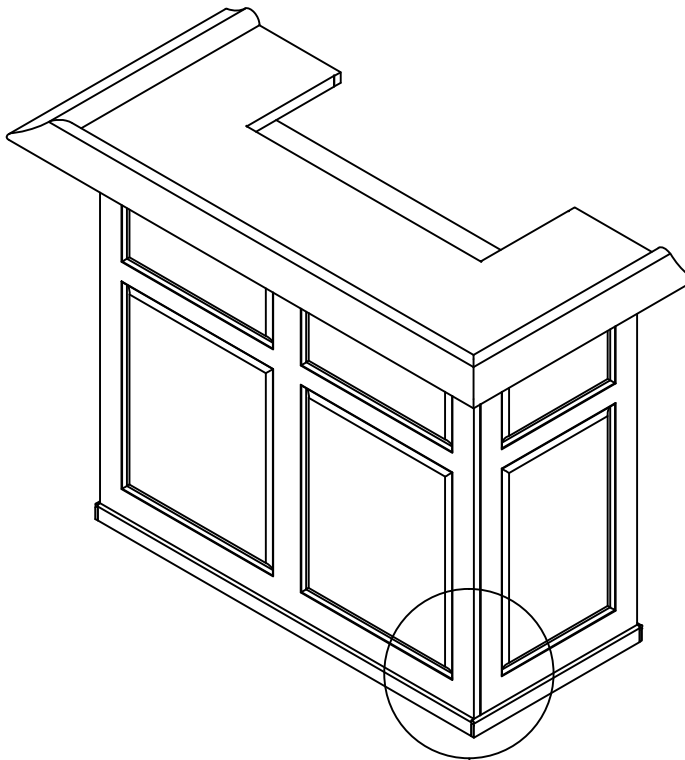
Read this instruction carefully. Refer hardware and furniture parts list for guidance. Be sure all parts are complete, before assembling. Place all wooden furniture part on a clean and flat soft surface to prevent scratches. Refer steps provided as assembling guide.

PART LIST		
ITEM	DESCRIPTION	QTY
1	Brackets 	2 PCS
2	Bar 	1 PC

HARDWARE LIST		
ITEM	DESCRIPTION	QTY
A	Bolt (1/4"*1-3/4") 	6 PCS
B	Washers(Dia16mm) 	4 PCS

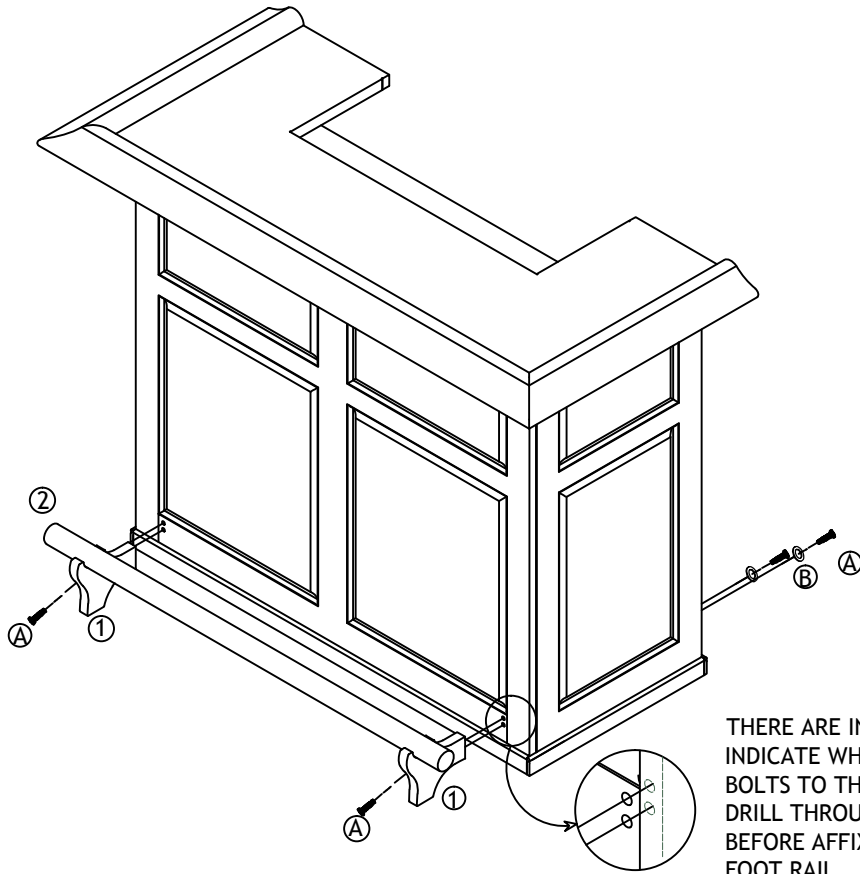
STEP 1:

Drill 4pcs 3/8 inch(9-10mm)holes in premarked locations on bar.



STEP 2:

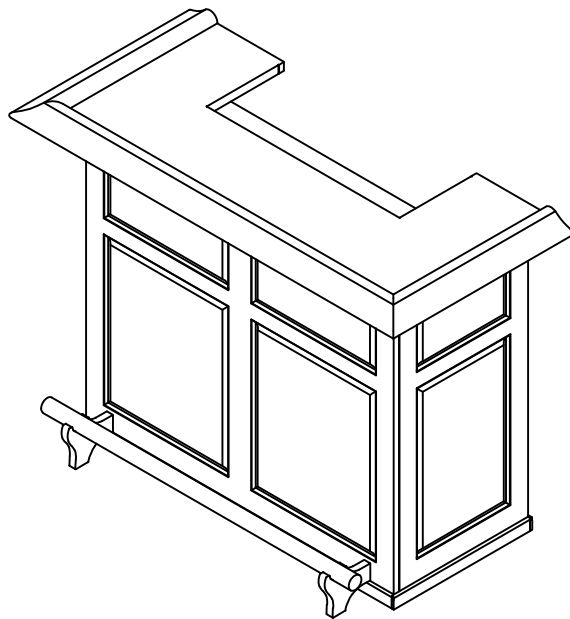
Loosely fit all hardware to rail, bar and supports



THERE ARE INDICATION MARKS INDICATE WHERE TO AFFIX THE BOLTS TO THE FOOT RAIL. PLEASE DRILL THROUGH THE MARKS BEFORE AFFIX THE BOLTS TO THE FOOT RAIL.

STEP 3:

Tighten bolts on foot rail 1st then tighten bolts inside bar to secure.



COMPLETED ASSEMBLY