

Coldest  
Drink  
in Town™



## ICEE® SLUSHIE MAKING MACHINE

### Instructions For Use

Product Ref: 1612\_V1 Voltage: 120V, 60Hz. Power: 20 Watts.

Thank you for purchasing the **ICEE® SLUSHIE MAKING MACHINE**

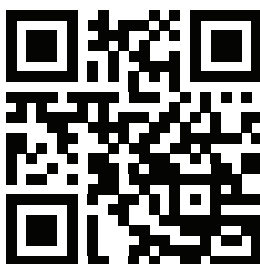


Please take the time to read these instructions carefully and keep them for future reference. They have been written to ensure you'll be making perfect ICEE SLUSHIE in no time at all.

*You'll soon have that famous coloured tongue look!*



Scan me for the instruction video and top tips  
for the perfect ICEE SLUSHIE!



**[icee.fizzcreations.com](http://icee.fizzcreations.com)**





# Contents



Safety Information ..... 4-5



Before You Begin ..... 6-9

- Remove Packaging
- What's in the box
- What you will need
- Tips on using your ICEE Slushie Machine



Assembly ..... 10-13



Using the Machine ..... 14-19

- Making ICEE Slushies
- Dispensing ICEE Slushies



Storage and Maintenance ..... 20-23

- Cleaning and Care
- Storage
- Servicing
- Troubleshooting
- Helpful Hints and Tips
- Technical Specification





## Safety Information

Please read these instructions carefully before assembling and using your ICEE Slushie Machine. We recommend you keep these instructions in a safe place for future reference.

- ✗ **NEVER** use any attachments or tools not included with the ICEE SLUSHIE Machine. The use of these attachments may cause, fire, electric shock or injury.
- ✗ **NEVER** use the ICEE SLUSHIE Machine for anything other than its intended use. The appliance is for household use only. This appliance is used indoors only. This appliance is intended to be used in household and similar applications: staff kitchen areas in shops, offices and other working environments; farm houses; by clients in hotels, motels and other residential type environments; bed and breakfast type environments.
- ✗ **NEVER** allow children to use the ICEE SLUSHIE Machine, close supervision is necessary when this appliance is in use near children.
- ✗ **NEVER** let the power cord hang over the edge of the worktop, touch hot surfaces, become knotted, trapped or pinched.
- ✗ **NEVER** place on or near a heat source.
- ✗ **NEVER** leave the ICEE SLUSHIE Machine unattended during use.
- ✗ **NEVER** touch the exposed metal parts of the appliance during use as they will become very hot.
- ✗ **NEVER** operate the ICEE SLUSHIE Machine by means of an external timer or separate remote control system.
- ✗ **NEVER** immerse the power cord or plug into water or any other liquid. This is to protect against electric shock.
- ✓ **ALWAYS** ensure the ICEE SLUSHIE Machine is only used by a responsible adult.
- ✓ **ALWAYS** use the ICEE SLUSHIE Machine on a stable level surface.
- ✓ **ALWAYS** ensure that hands are dry before handling the plug or switching on the ICEE SLUSHIE Machine.
- ✓ **ALWAYS** unplug this unit when not in use and before cleaning.
- ✓ **ALWAYS** allow the ICEE SLUSHIE Machine to fully cool down before cleaning or storing.
- ✓ **ALWAYS** carry out regular checks on the ICEE SLUSHIE Machine and power cord.

In order to avoid hazard, should there be any sign of damage, do not attempt to use or repair. If the supply cord is damaged, it must be replaced by the manufacturer, its service agent or similarly qualified persons in order to avoid a hazard. The ICEE SLUSHIE Machine has no user serviceable parts.



The ICEE SLUSHIE Machine can be used by children aged 8 years and above and persons with reduced physical, sensory or mental capabilities or lack of experience and knowledge if they have been given supervision or instruction covering use of the appliance in a safe way and understand the hazards involved. Children shall not play with the ICEE SLUSHIE Machine. Cleaning and user maintenance shall not be made by children unless they are supervised — keep the appliance and its cord out of reach of children less than 8 years. This appliance is intended for domestic use only.

## Electrical Safety

**Please read these instructions thoroughly before using the ICEE SLUSHIE Machine or connecting it to the mains electricity supply.**

- There are no user serviceable parts inside the ICEE SLUSHIE Machine. In order to avoid hazard always refer servicing to a qualified service personnel.
- Do not allow the ICEE SLUSHIE Machine to be exposed to rain or moisture during use or storage.
- Before switching on, make sure that the voltage of your electricity supply is the same as that indicated on the ICEE SLUSHIE Machine's rating plate. Connecting it to any other power source may cause damage.
- The mains lead of the ICEE SLUSHIE Machine is not replaceable by the user. If the mains lead is damaged, the entire ICEE SLUSHIE Machine should be replaced by a suitable qualified person in order to avoid hazard. In order to avoid hazard if the plug has to be changed because it is not suitable for your socket, or due to damage, it should be cut off and a replacement fitted by a qualified person. The old plug must be disposed of safely because inserting it into a socket could cause an electrical hazard.



You're almost ready to start making ICEE SLUSHIES. There are a few small things to do before you begin...

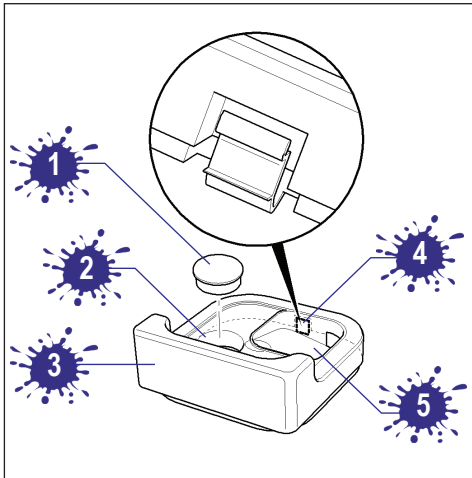
## Remove Packaging

Carefully remove all packaging material and promotional labels from the ICEE SLUSHIE Machine.

## What's in the box

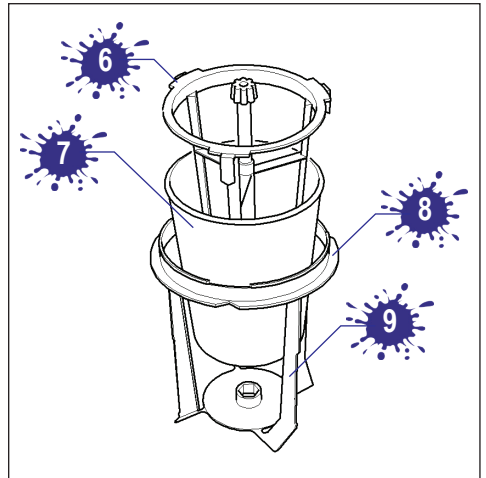
In the box you will find...

### Canister Lid



1. Ice/Salt Inlet Cap
2. Ice/Salt Inlet
3. Canister Lid
4. Locking Catch
5. Syrup Inlet

### Ice Canister

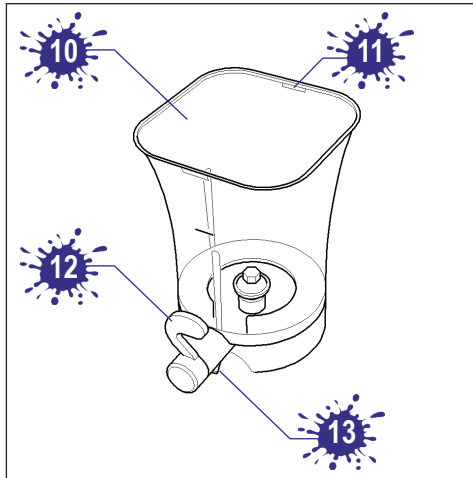


6. Ice Canister Cage with Ice Paddle Locking Clips
7. Ice Canister
8. Ice Paddle Assembly
9. ICEE SLUSHIE Blades



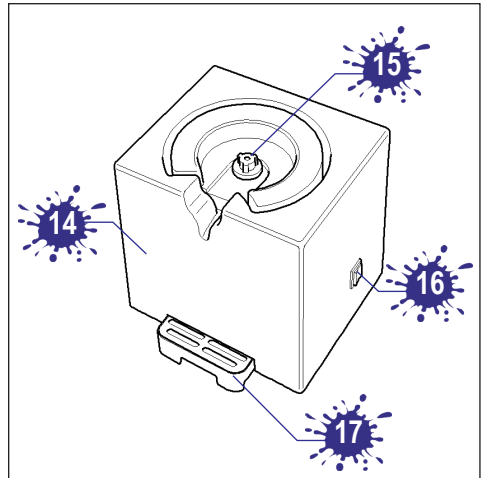


ICEE SLUSHIE Container



- 10. ICEE SLUSHIE Container
- 11. Locking Notch
- 12. Tap Handle
- 13. Tap

Motor Base



- 14. Motor Base
- 15. Drive Sprocket
- 16. Mix/Off/Dispense Switch
- 17. Drinks Tray



# ▶ Before You Begin

To complete the recipe for perfect ICEE SLUSHIES you will need...

## What you will need

- ICEE SLUSHIE syrup. We recommend that you use the ICEE SLUSHIE branded syrup.
- Once you've chosen a flavour, make the ICEE SLUSHIE syrup mixture in a jug that will hold at least 34 fl oz of mixture.

Carefully follow the instructions on the syrup bottle.

**To make 34 fl oz of ICEE SLUSHIE, mix 28.5 fl oz of water to 5.5 fl oz syrup.**

This is a guide and should your mixture not produce the desired slush, you can add more water or syrup as necessary. If the mixture is not freezing enough to produce slush, it is likely you will need more water. If the mixture is becoming too solid it is likely you will need more syrup.



**min. 2 Hours**

To make perfect ICEE SLUSHIES chill your mixture for a minimum of 2 hours but ideally overnight. If the mixture is too warm, chilling or freezing within the Ice Canister will not take place.

**For faster ICEE SLUSHIES and the best results** we recommend freezing the Ice Canister for 1 hour before making ICEE SLUSHIES.

**DO NOT** freeze the Ice Canister for longer than this as it will become too cold.







**Ice cubes**

Make sure you have enough ice cubes on hand to fill the Ice Canister.



**Water**

At least 2.8 fl oz of cold water.



**Salt**

We recommend you have enough salt to fill 7 Ice/Salt Inlet Caps. This is equivalent to approximately 170g

**NOTE:** The salt will not be consumed; It is used to stop the ice mix from rapidly freezing.



**Cups or glasses**

Use your own Cup or glass.



**Using Your ICEE SLUSHIE Machine**

- Your ICEE SLUSHIE Machine can make a maximum of 34 fl oz of ICEE SLUSHIE mix in one go. **PLEASE NOTE** that the ICEE SLUSHIE mix will reduce in volume when the slush starts to form.
- **DO NOT** exceed the maximum capacity of 34 fl oz of liquid in the ICEE SLUSHIE Container as indicated by the 'Max Fill' level on the front of the container. This will result in the liquid overflowing into the Ice Canister, mixing with the salt and ice.



It's almost time for some ICEE SLUSHIES. First, let's get the ICEE SLUSHIE Machine ready for action...



**DO NOT** plug the power cord into the mains electrical supply until the ICEE SLUSHIE Machine is fully assembled.

Before using for the first time, clean any removable parts with a soft sponge and washing up liquid. Thoroughly rinse with clean water and dry.



1. Insert the ICEE SLUSHIE Container into the Motor Base. Make sure the Coupler on the ICEE SLUSHIE Container is correctly aligned with the Drive Sprocket and slots firmly into position. The Tap should sit directly above the Drinks Tray.

ICEE SLUSHIE  
Container

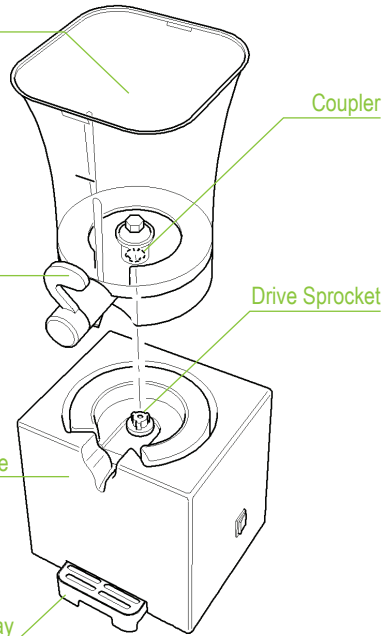
Coupler

Tap

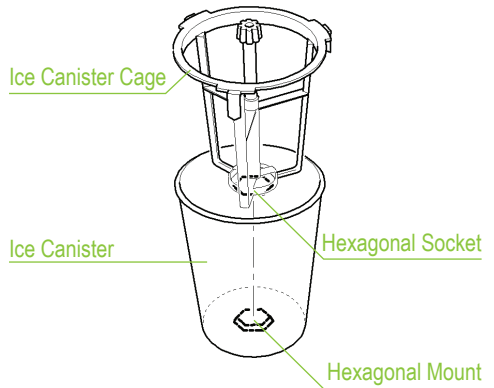
Drive Sprocket

Motor Base

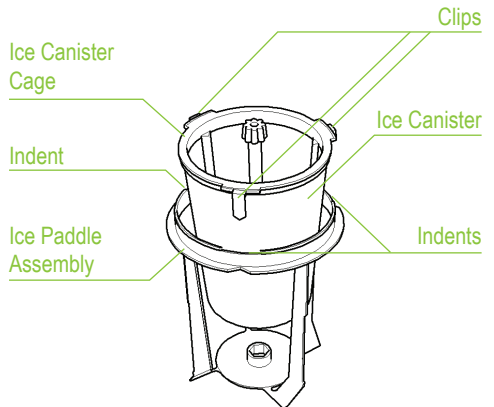
Drinks Tray



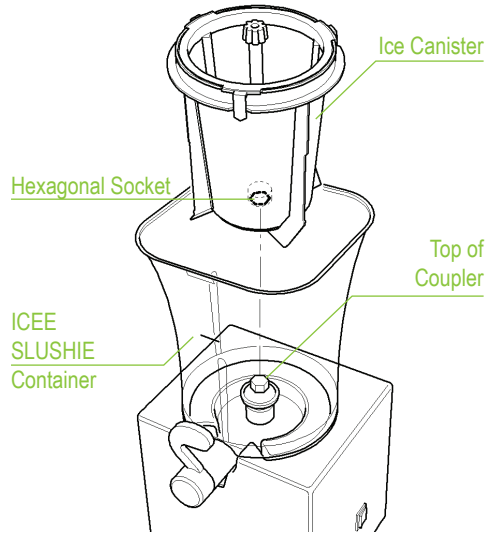
2. Insert the Ice Canister Cage into the Ice Canister. Make sure the Hexagonal Socket on the Ice Canister Cage aligns with the Hexagonal Mount in the Ice Canister.



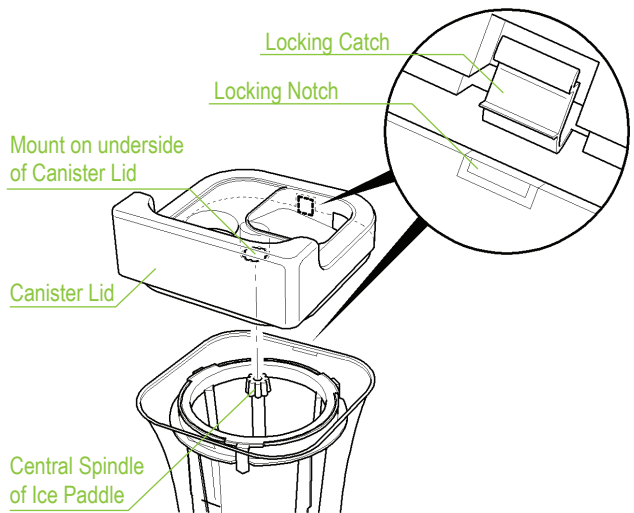
3. Insert the Ice Canister complete with Ice Canister Cage into the Ice Paddle Assembly so that the Clips line up with the 3 Indents. Make sure the Ice Canister is correctly seated. Carefully push each Clip into place. A loud 'click' will indicate each Clip is securely in position.



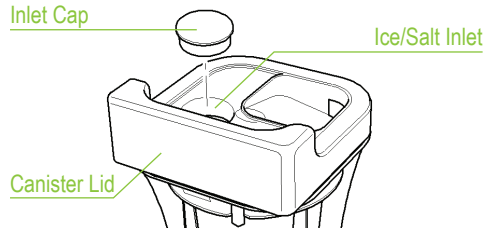
4. Insert the assembled Ice Canister into the ICEE SLUSHIE Container. Make sure the Hexagonal Socket on the Ice Canister aligns with the top of the Coupler in the ICEE SLUSHIE Container and slots firmly into place.



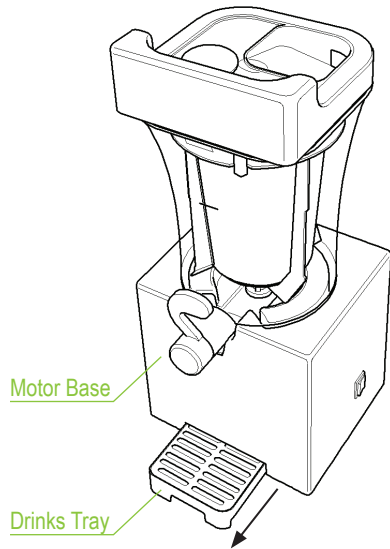
5. Fit the Canister Lid into place. Make sure the ICEE SLUSHIE logo is at the front and the text displaying FRONT on the Canister Lid is facing forwards. Push down on the front of the lid and then the rear. The Central Spindle of the Ice Paddle assembly should be firmly in place in the mount on the underside of the Canister Lid. Secure the Locking Catch onto the rear Locking Notch of the ICEE SLUSHIE Container.



6. Push the Inlet Cap into position in the Ice/Salt Inlet.



7. Carefully pull the Drinks Tray out from the Motor Base until it is fully extended.





## Making ICEE SLUSHIES

Are you ready?  
Feeling thirsty? Let's make some ICEE SLUSHIES!

### Check you have the following...

- Syrup mixture – this should have been stored in the fridge for at least 2 hours but ideally overnight
- Salt
- Ice cubes
- Water
- Cups or glasses

### And you have also...

- Put the Ice Canister in the freezer for 1 hour.
- Made sure the ICEE SLUSHIE Container and Canister Lid are firmly in place. A loud 'click' indicates the Canister Lid is securely in place.



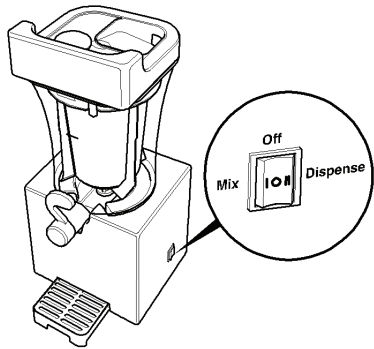


1. Plug the ICEE SLUSHIE Machine into an appropriate mains power supply and check that it is switched on at the socket.
2. Press the Mix/Off/Dispense switch to position I (Mix).



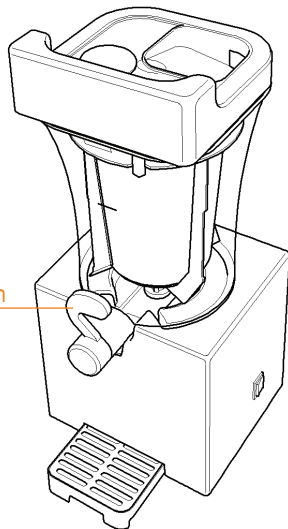
**IMPORTANT**

It is very important that your ICEE SLUSHIE Machine is working before you add ice; otherwise the motor or blade could freeze.



3. Ensure the Tap is in the closed position.

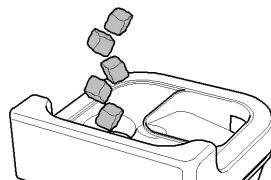
Tap in closed position





## Using the Machine

- Remove the Inlet Cap and half fill the Ice Canister with ice through the Ice/Salt Inlet. This is indicated by the ICE and SALT marker on the Canister Lid.

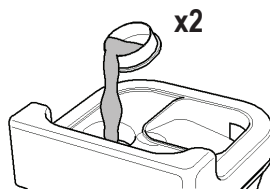


- Pour 2 inlet caps of salt into the Ice/Salt Inlet.

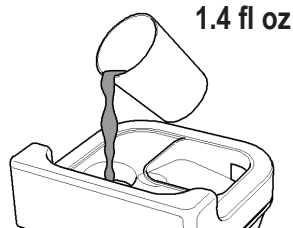


### IMPORTANT

Add salt to the Ice Canister only. The salt will not be consumed; it is used to stop the ice mix from rapidly freezing.

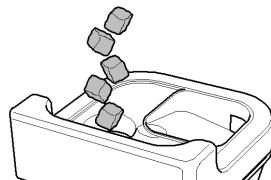


- Pour 1.4 fl oz of water into the Ice Canister through the Ice/Salt Inlet.



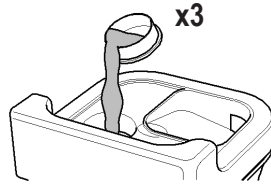
- Fill the rest of the Ice Canister with ice cubes through the Ice/Salt Inlet.

**Note:** The ice level should be at least 3 cm below the rim of the Ice Canister.





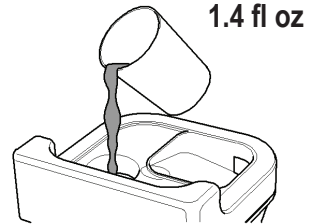
8. Pour a further 3 Inlet Caps of salt into the Ice Canister through the Ice/Salt Inlet.



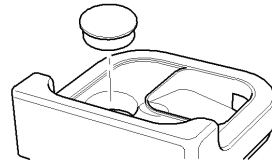
**IMPORTANT**

Add salt to the Ice Canister only; the salt will not be consumed, it is used to stop the ice mix from rapidly freezing.

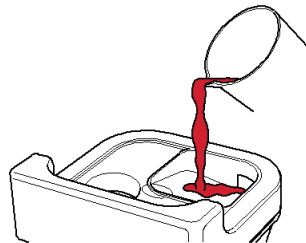
9. Pour a further 1.4 fl oz of water into the central Ice Canister.



10. Re-fit the Inlet Cap into position on the lid.



11. Slowly pour your ICEE SLUSHIE syrup mixture through the Syrup Inlet at the rear right of the Canister Lid. This is indicated by the BEVERAGES HIGH IN SUGAR CONTENT ONLY marker on the Canister Lid.



**IMPORTANT**

**DO NOT** exceed the 34 fl oz limit as shown by the Max Fill line on the ICEE SLUSHIE Container.





## Using the Machine

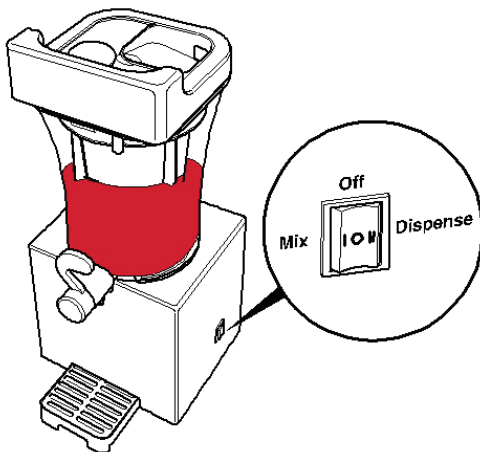
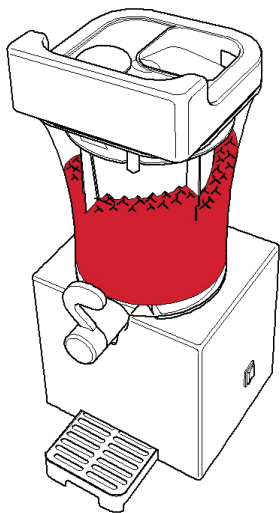
12. Leave the ICEE SLUSHIE Machine running for approximately 15-25 minutes. **DO NOT** leave the ICEE SLUSHIE Machine unattended or exceed the running time (40 minutes).  
The amount of time until the desired consistency is reached will depend on the ambient temperature.
13. When the mixture level drops add more ice cubes to the Ice Canister to a level no higher than 3 cm from the rim of the Ice Canister. **DO NOT** fill the ice to the top of the canister as this cools the Ice Canister too much; add a couple of ice cubes at a time and leave a minute or two before adding more ice cubes. Add 2 or 3 Inlet Caps of salt to the Ice Canister and the equivalent amount of water.



### IMPORTANT

Add salt to the Ice Canister only. The salt will not be consumed; it is used to stop the ice mix from rapidly freezing.

**Note:** If the Ice Canister jams, simply turn the machine off and wait for the ice to melt around the canister, enough to allow the blades to rotate again. Once this has melted enough, add ice again, slowly and regularly to cool the canister enough to make slush.



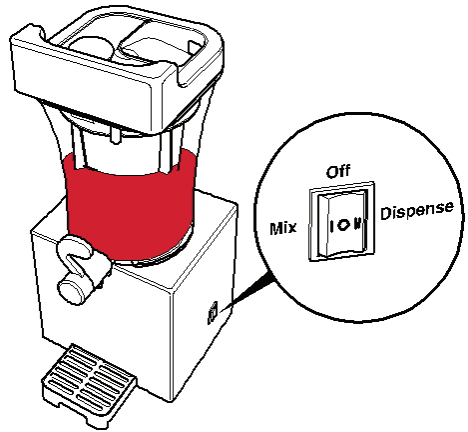
14. To create perfect ICEE SLUSHIES, wait until peaks form in the ICEE SLUSHIE mixture before dispensing.

**Note:** After using the ICEE SLUSHIE Machine wait at least 15 minutes before using again. This will allow the motor to cool.

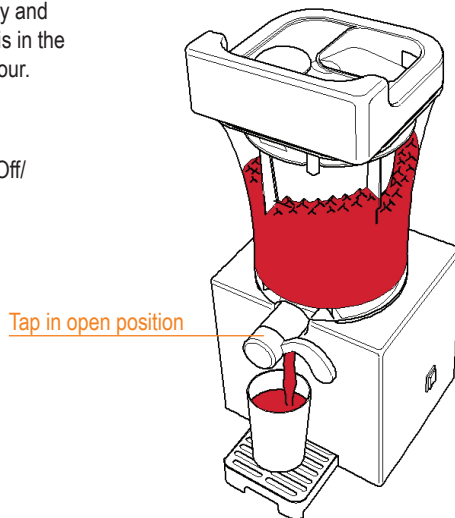


## Dispensing ICEE SLUSHIES

1. Press the Mix/Off/Dispense switch to Position II (dispense).



2. Place a cup or glass onto the Drinks Tray and turn the Tap Handle clockwise so that it is in the open position. The mixture will start to pour.
3. To stop dispensing, turn the Tap Handle anti-clockwise.
4. When you have finished, press the Mix/Off/Dispense switch to Off (Position O).



## Cleaning and Care



We recommend cleaning the Ice Canister straight after use. There is a large amount of salt used when making ICEE SLUSHIES. This salt is not consumed and prevents freezing. If the salt is left in the Ice Canister for a long period of time it will corrode the metal. Please refer to the steps below:



**IMPORTANT:** Before cleaning your ICEE SLUSHIE Machine, make sure the machine is turned off with the Mix/Off/Dispense switch set to Off (Position O).

To clean your ICEE SLUSHIE Machine:

1. Unplug the ICEE SLUSHIE Machine from the mains electricity supply and allow it to cool completely.
2. Remove all detachable parts.  
**Note:** When removing the Canister Lid, press the Clip and the rear inwards to release the Canister Lid. Please take care when handling any sharp edges or parts during cleaning.
3. Clean the detachable, non-electronic parts in lukewarm water with some washing-up liquid and rinse them under a tap.



**IMPORTANT:**  
**DO NOT** immerse the Motor Base in water or any other liquids.

4. Clean the outer surface of the ICEE SLUSHIE Machine with a soft damp cloth.



**IMPORTANT:**  
**DO NOT** use coarse or abrasive cleaners or steel wool to clean the ICEE SLUSHIE Machine.





**IMPORTANT:**

Never spray or apply cleaning products directly onto the ICEE SLUSHIE Machine. If necessary, apply cleaner to a soft cloth instead.

**IMPORTANT:**

**DO NOT** use a dishwasher to clean your ICEE SLUSHIE Machine.

5. After each use please clean the Ice Canister thoroughly. The Ice Canister is sturdy but the metal is purposely designed to be thin. Salt **MUST NOT** be left in or on the Ice Canister after use as it can cause corrosion. The ultra-thin Ice Canister allows the freezing cold temperatures to transfer to the outer wall, this design helps you to make perfect ICEE SLUSHIE.

## Storage

To safely store your ICEE SLUSHIE Machine...

1. Make sure the ICEE SLUSHIE Machine is turned off with the Mix/Off/Dispense switch set to Off (Position O).
2. Unplug the ICEE SLUSHIE Machine from the mains electricity supply.
3. Make sure the ICEE SLUSHIE Machine has completely cooled and is clean before storing.
4. Store the ICEE SLUSHIE Machine in its original packaging in a clean dry place. **DO NOT** allow the ICEE SLUSHIE Machine to be exposed to rain or moisture during use or storage.

## Servicing

If you drop or damage your ICEE SLUSHIE Machine **DO NOT** use it until it has been examined by an authorised service centre or appliance technician. Servicing must only be carried out by qualified service personnel.

The ICEE SLUSHIE Machine is for household use only.



## Troubleshooting

If your ICEE SLUSHIE Machine is not working as expected you may find a simple solution listed below:

Whats is happening?	What it could be
The motor is not spinning	<ul style="list-style-type: none"> <li>The blade may have become frozen. Turn the ICEE SLUSHIE Machine off, move the frozen blade and restart the machine.</li> </ul>
The mixture is not freezing or chilling	<ul style="list-style-type: none"> <li>The Ice Canister may not be cold enough. Add more ice and salt.</li> <li>The mixture added is too warm. We recommend chilling the syrup mixture for at least 2 hours, ideally overnight before use. For best results, freeze the Ice Canister for 1 hour before use.</li> </ul>
If the ICEE SLUSHIE Machine is getting too cold too quickly	<ul style="list-style-type: none"> <li>Too much ice is being used. When filling the Ice Canister leave a gap of 3cm from the top of the ice to the canister rim.</li> </ul>
If the Canister Lid comes off	<ul style="list-style-type: none"> <li>Too much ice is being used. When filling the Ice Canister leave a gap of 3 cm from the top of the ice to the Ice Canister rim.</li> </ul>
If your ICEE SLUSHIE Machine is not making slush	<ul style="list-style-type: none"> <li>This could be due to salt falling into the wrong compartment. Make sure salt is only poured into the Ice/Salt Inlet indicated by the ICE AND SALT marker on the Ice Canister Lid.</li> </ul>



## Helpful Hints and Tips

- **DO NOT** add thick liquids or solids to the Slush mix.
- **DO NOT** operate the ICEE SLUSHIE Machine for longer than required and **DO NOT** use for longer than 40 minutes of continuous use.
- Consume ICEE SLUSHIES as soon as they have been served.
- Slush mixtures with higher sugar content will reach the desired consistency more quickly than mixtures with lower sugar content.
- When preparation begins always start with liquid mixtures and not frozen mixtures.
- Follow the instructions on the syrup bottle carefully. We recommend you use the ICEE SLUSHIE branded syrup.
- You can use any drink with a high sugar level in your ICEE SLUSHIE Machine such as fresh orange juice or fizzy cola.
- If you are not using official ICEE SLUSHIE branded syrup please ensure your mixture has a high sugar content which helps with the reaction to create the slush. If the mixture is not freezing sufficiently to produce slush, there is too much sugar in the mixture and it will need to be diluted. If the mixture is becoming too solid, it is likely you will need more sugar in your mixture.

---

## Technical Specification

- Voltage: 120V, 60Hz.
- Power: 20 Watts.
- Capacity: 34 fl oz





### WARNING!

- This product is not a toy.
  - WEEE products must be disposed of by handing it over at a designated collection point.
- For more information about where you can drop off your waste product for recycling please contact your local authority.

This device complies with Part 15 of the FCC Rules. Operation is subject to the following two conditions:

1. This device may not cause harmful interference.
2. This device must accept any interference received, including interference that may cause undesired operation.



© 2017 SLUSH PUPPIE®. SLUSH PUPPIE® is a registered trademark of The ICEE Company, a Subsidiary of J&J Snack Foods Corp.



6 Commerce Way,  
Lancing, BN15 8TA, UK  
[www.fizzcreations.com](http://www.fizzcreations.com)  
© 2017 Fizz Creations Ltd.  
All rights reserved.