



Assembly Instructions
Round pools

C

Dear Customer

Congratulations! You have purchased a pool of superior quality and durability. To achieve the best possible results, follow the instructions carefully. Failure to follow the installation procedures may result in damages to your pool or property and void your warranty. We recommend that you make a preliminary study of the instructions booklet to familiarize yourself with the different parts of your pool. Make sure that you understand each step thoroughly before you begin assembly.

We strongly recommend having your pool installed by a professional.

We wish you a most pleasant and refreshing summer.

WARNING : Be sure you have read and understood the "Safety" section
before you begin your pool installation.



WARNING : For your safety, your pool is not designed for diving and/or
jumping in head first. Please do not dive. Diving may
result in permanent injury or death.

INSTALLER: Once the installation of the pool is complete, it is important
to give this document to the customer in person.

TABLE OF CONTENTS

Description	Page
1. SAFETY	1
2. ASSEMBLY INSTRUCTIONS	4
3. SITE LEVELLING	5
4. BOTTOM DRAIN ASSEMBLY (IF APPLICABLE)	6
5. BOTTOM WALL TRACKS ASSEMBLY	7
6. WALL INSTALLATION	7
7. SAND BASE FINISHING	9
8. UPRIGHT INSTALLATION	9
9. VINYL LINER INSTALLATION	10
10. TOP SEAT INSTALLATION	11
11. SEAT CAP INSTALLATION	12
12. SAFETY LABELS INSTALLATION	12
13. FILTRATION SYSTEM ASSEMBLY	13
14. DRAIN VALVE ASSEMBLY (IF APPLICABLE)	14
15. PARTS LIST	15
16. WARRANTY: The general warranty is available on the web site www.corneliuspools.com under every product in the downloadable content section.	

SAFETY AND FUN GO TOGETHER !

Read this before installing
Your above-ground pool

General information

The pool is subject to wear and deterioration if not maintained properly and could lead to failure of the pool's structure. Failure of the pool structure might release large quantities of water that could cause property damage, bodily harm or even death.

We strongly recommend having your pool installed by a professional.

Before installing your pool, you should check local regulations such as building and electrical codes as well as zoning requirements to determine whether a building permit or electricity permit is required to install your pool. Local regulations may ask you to make sure your backyard meets set-back requirements and/or have to install gates, barriers or other safety devices, or meet other conditions.

WARNING: All pool components, such as the filtration system, pump and heater should not be positioned in such a way that someone could use them to gain access to the pool or the deck. Positioning such objects too close to the pool may allow access to the pool while unattended and may cause serious injury or death.

We are not responsible for faulty installation of the pool. We are not affiliated with any pool installer and assume no responsibility or liability for the purchaser's or a professional installer's errors in installing your pool. NO DIVING, NO JUMPING and PREVENT DROWNING stickers are provided with your pool. These stickers must be affixed to the interior of the pool above the water line. Pool users must be able to see them clearly before entering the pool. If you need more stickers or if some are missing, you can order these at <https://www.corneliuspools.com/contact/> or by calling 1-800-448-7384. The purchaser must supervise the installation of the pool in order to make sure that proper installation methods are followed, as found in the installation instructions included with your pool.

SAFETY EQUIPMENT

For your protection and for the safety of others, we recommend that lifesaving equipment be on hand

A light, strong and rigid pole, frequently referred to as a Shepherd's Crook, at least twelve feet long or a throwing rope of at least ¼ inch in diameter and as long as 1.5 times the maximum width or diameter of your pool. The rope should be firmly attached to a coast guard-approved buoy with an outside diameter of approximately 15 inches.

LADDER SAFETY

Although we do not manufacture ladders, the proper use of the ladder by pool users is an integral part of general pool safety.

ANSI standards require all pools to have an approved ladder attached for proper access to and from the pool. The purchaser should follow the pool ladder manufacturer's installation instructions. Please follow these rules regarding the use of the ladder:

- Only one person at a time on the ladder .
- The user should face the ladder whether going in or out of the pool.
- **NO DIVING** or **JUMPING** from the ladder steps or the ladder's platform.
- Check all nuts and bolts regularly to make sure the ladder is safe.
- Inform others of the rules pertaining to the use of ladder and steps.
- Make sure that the ladder complies with local safety standards

SAFETY INFORMATION DURING POOL USE

1- Share safety instructions with family, friends, pool watcher or neighbors.

2- Make certain all safety stickers are affixed on the liner, above water level, when the pool is installed or the liner replaced.

3- Pool owners need to explain safety rules to all users, especially new pool users. In order for pool users to remember safety rules, we suggest you have them read all safety signs affixed on the pool on a regular basis.

4- Never dive, jump or slide into an above ground swimming pool. Diving, jumping or sliding may result in permanent injury or death. Use a pool ladder or step to enter the pool smoothly, feet first. The owner must follow the ladder manufacturer's instruction and safety warnings.

5- Steps and pool ladders should be secured and locked or removed when the pool is not in use.

6- Never swim alone

7- Don't enter the pool if you have been using alcohol or drugs. People under the influence of alcohol or drugs should be forbidden access to the pool.

8– Adult supervision is always necessary. Never take your eyes off children or swimmers in the water or near the pool, not even for a minute. Designate an adult “pool watcher”. Make sure that you or your pool watcher are able to intervene in less than 10 seconds in order to save a life or avoid injury.

9– If a child is missing, always look in the pool first.

10– Be proactive to prevent death or disability.

11– The pool owners and “pool watchers” should learn CPR (Cardiopulmonary Resuscitation).

12– Swimming pool barriers or fences with self-latching and self-closing gates which prohibit children or other people from gaining access to the pool must be installed around the pool to avoid injury or death. The latch should be out of reach of children. Consult your municipality for more details and specifications. **Warning! A winter or solar cover should never be considered as safety equipment.** Covers must be completely removed while the pool is in use. A person may become trapped under a pool cover, which may result in severe bodily injuries, including death.

13– Keep rescue equipment such as life rings and reaching poles by the pool. Please consult you municipality to get a rescue equipment list.

14– A functioning fixed or cellular phone must be within reach of the pool watcher. Note: if 911 is not available in your area, make sure emergency numbers are easily accessible.

15– Avoid entrapments. Suction from a pool drain or skimmer can trap an adult or children underwater:

- Hair can get caught in faulty drain cover. Solution: long haired swimmers should wear a bathing cap.
- Fingers, toes, jewelry and bathing suits can get caught in the bottom drain. Solution: make sure the bottom drain cover is in place and in working condition.
- The stomach, back or lower back can get suctioned on the bottom drain. Solution: make sure the bottom drain suction is equally distributed with the skimmer or completely shut.

A pool with a broken, loose, missing or non compliant drain cover should be considered as dangerous and should not be used.

16– The electrical circuit shall be in concordance with the National Electrical Code.

17– During nighttime pool use, artificial lighting must be use to illuminate pool, all safety signs, ladders, steps, deck surfaces and walkways.

18– All electrical devices must be installed far enough away from the pool so that anyone climbing upon them would not be able to reach the pool structure or the water.

19- The pool deck, if installed, should be kept clean and clear of objects in order to avoid tripping or slipping. The deck should have a non-slip surface.

20- Keep all toys, chairs, tables, filter, pool heater and any other object that can be used by anyone to gain access to the pool, at least four feet away from the pool.

21- Do not sit, dive, climb or stand on the top rails of the pool.

22- It is important that all users be able to see the bottom of the pool. Foggy water must be cleared up before entering the pool.

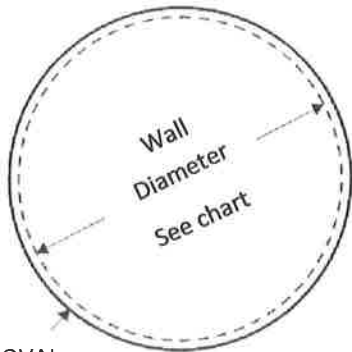
2

ASSEMBLY INSTRUCTIONS

When selecting the site for your pool, take into account city by-laws regarding fences and utilities laws pertaining to electrical cables, as well as the landscaping which you plan to do once the pool is installed.

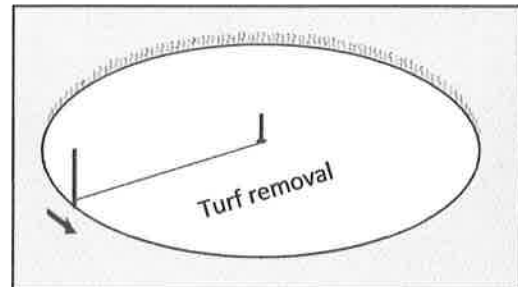
Using a measuring tape, draw a circle 15 cm to 20 cm (6" to 8") longer in radius than the pool, depending on the width of the uprights (See illustration 3.1). Remove all grass from the area that you have outlined.

Make sure you order the necessary quantities of sand and stone dust (See Chart).



TURF REMOVAL DIAMETER

Illustration 3.1

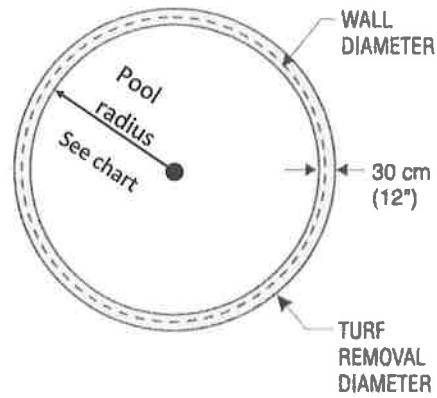


Chart

C	Wall diameter	Turf removal diameter		Necessary materials*	
		Radius	Diameter	Sand	Stone dust
10'	3.05m (10'-0")	2.04m (6'-8 1/2")	4.09m (13'-5")	7/8 ton	1/4 ton
12'	3.68m (12'-1")	2.34m (7'-8")	4.67m (15'-4")	1 ton	1/3 ton
15'	4.57m (15'-0")	2.49m (8'-2")	4.98m (16'-4")	1 1/4 tons	1/2 ton
18'	5.44m (17'-10")	2.92m (9'-7")	5.84m (19'-2")	1 1/2 tons	3/4 ton
21'	6.38m (20'-11")	3.39m (11'-1 1/2")	6.78m (22'-3")	1 3/4 tons	1 ton
24'	7.29m (23'-11")	3.85m (12'-7 1/2")	7.70m (25'-3")	2 tons	1 1/2 tons
27'	8.18m (26'-10")	4.29m (14'-1")	8.59m (28'-2")	2 1/4 tons	1 3/4 tons
30'	9.09m (29'-10")	4.75m (15'-7")	9.50m (31'-2")	2 1/2 tons	2 tons
33'	10.01m (32'-10")	5.21m (17'-1")	10.41m (34'-2")	2 3/4 tons	2 1/4 tons

Level the edge of the circle, from the turf removal line up to 30 cm (12") within the circle.

You may use an optical or a laser level.



Carefully pack the soil using a tamper tool or vibrating plate (See illustration 4.1 and 4.2), especially on those areas where a lot of soil was added.

It is also highly recommended to firm up the edge by adding a 2 cm (3/4") layer of stone dust (or sand).

The center of the circle can then be excavated to the desired depth (optional), not to exceed 15 cm (6") for a standard liner (See Illustration 4.3).

Remove any stone, piece of wood or other debris from within the circle. Flatten any protrusion and pack soil tightly. Spread area with salt to prevent roots from growing back and to eliminate earthworms, which are two causes of post-installation cracking.

Also spread ant repellent, another cause of post-installation cracking. Cover with a thin 2 cm (3/4") layer of compacting sand in order to protect the liner.

Make sure you place a sufficient quantity of sand for the base finishing, inside the circle. (See step 8)

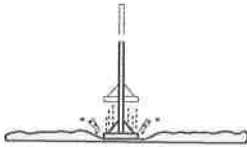


Illustration 4.1

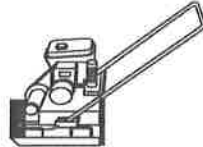


Illustration 4.2

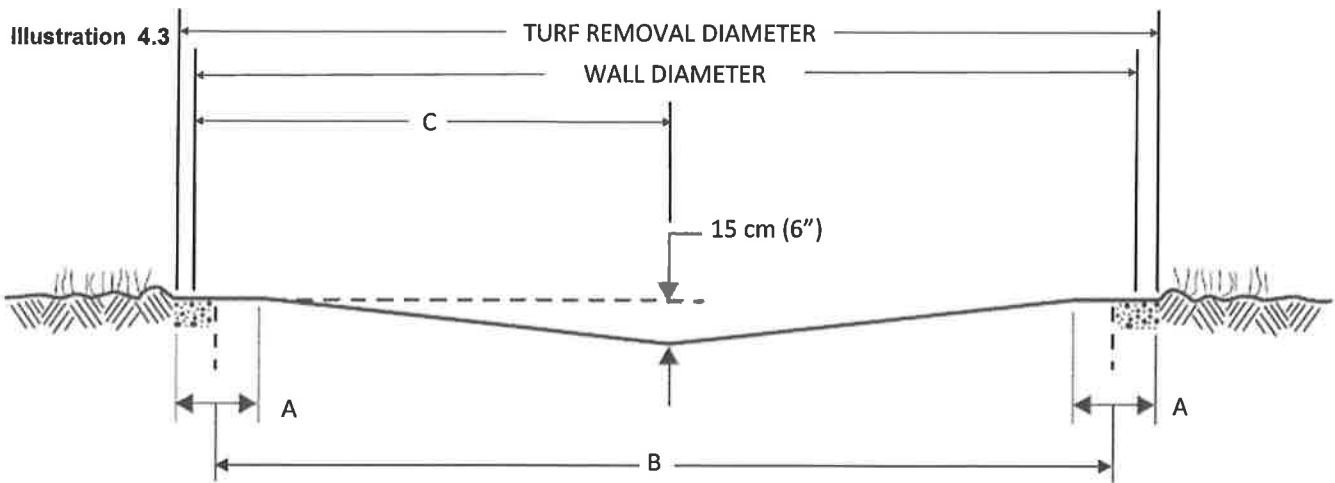


Illustration 4.3

C	FLAT	POOL DIAMETER	POOL RADIUS
	A	B	C
10'	1' - 7"	3.05m (10'-0")	1.52m (5'-0")
12'	1' - 9"	3.68m (12'-1")	1.84m (6'-1/2")
15'	2' - 0"	4.57m (15'-0")	2.29m (7'-6")
18'	2' - 6"	5.44m (17'-10")	2.72m (8'-11")
21'	2' - 9"	6.38m (20'-11")	3.19m (10'-5 1/2")
24'	3' - 0"	7.29m (23'-11")	3.64m (11'-11 1/2")
27'	3' - 6"	8.18m (26'-10")	4.09m (13'-5")
30'	3' - 6"	9.09m (29'-10")	4.55m (14'-11")
33'	3' - 6"	10.01m (32'-10")	5.0m (16'-5")

4

BOTTOM DRAIN ASSEMBLY (if applicable)

Dig a hole 30 cm (12") wide by approximately 25 cm (10") deep in the center of the circumference.

From the center hole to the projected location of the pool motor, dig a 15 cm (6") wide trench. Place the removed soil aside to be used later to cover the hose.

Bottom Drain Assembly

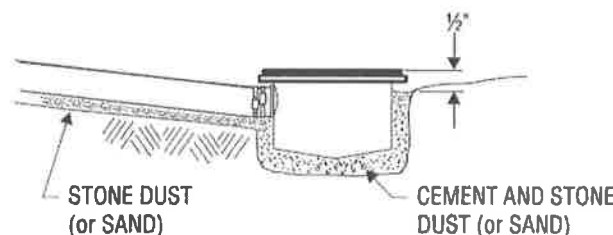
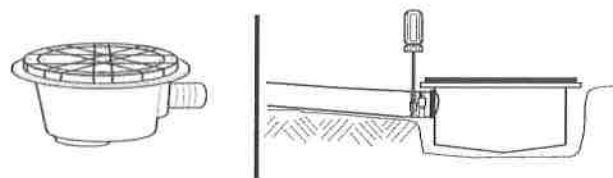
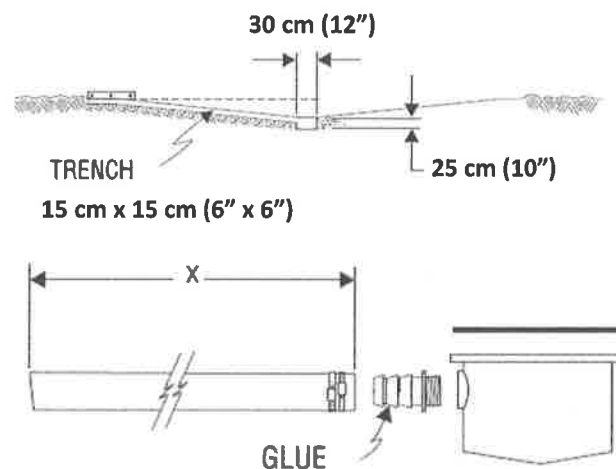
Place Teflon around the threaded plug. Screw in drain holes using large pliers. Glue the connector in the appropriate opening.

Take one of the two(2) rubber rings and adjust it to the top of the drain, aligning the holes carefully. Secure with strips of adhesive tape to prevent sand from penetrating inside the holes once the drain has been installed. Secure one end of the long black or white hose inside the drain spout. First apply glue on the drain spout and inside the drain end, then secure with one or two collars.

Cut the hose so that it ends with the stone dust (or sand). Measure the pool radius from the center of the drain, then add 15 cm (6").

Place the assembled bottom drain in the hole so that it is approximately 1.3 cm (1/2") higher than the surface soil. Bury the hose, leveling the drain as much as possible. Compact the soil, using your feet and a tamping tool as well.

Mix three (3) shovels of stone or sand dust with half a shovel of pure cement, adding a small quantity of water, then pour the cement around the drain until it reaches 1.3 cm (1/2") from the top.

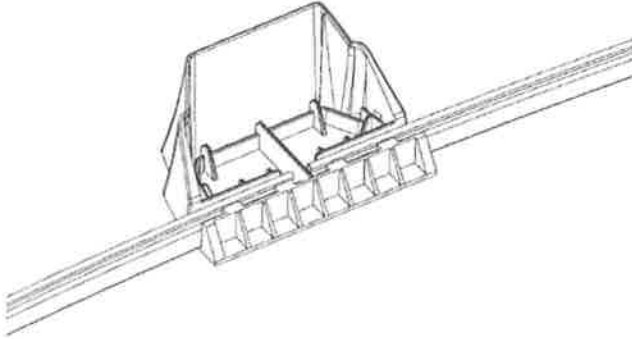


5

BOTTOM WALL TRACKS ASSEMBLY

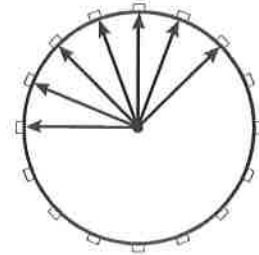
Insert the tracks on each side of the bottom plates (see Illustration 6.1).

Illustration 6.1



Assemble all bottom tracks to the bottom plates to form a perfect circle with a diameter and a radius in accordance to the chart

Illustration 6.2



ATTENTION INSTALLERS: The radius must be measured from the center of the track cavity, where the wall will be installed, to the center of the pool. Before unrolling the wall, make sure the space between tracks is equal all around the perimeter. To display the tracks and not have a perfect circle in accordance to the chart in diameter would greatly complicate the following installation instructions and could cause irreparable damage to the structure of the pool as a whole during the pool's filling up stage.

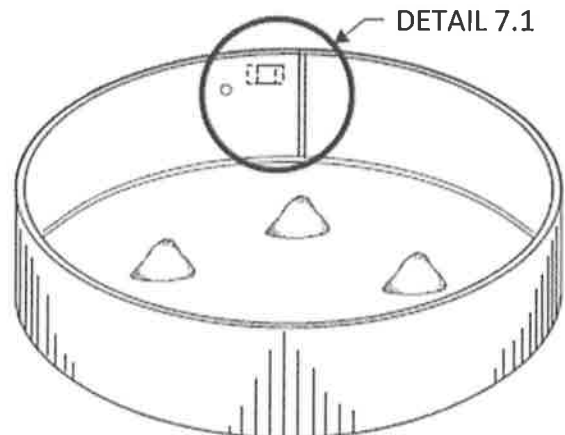
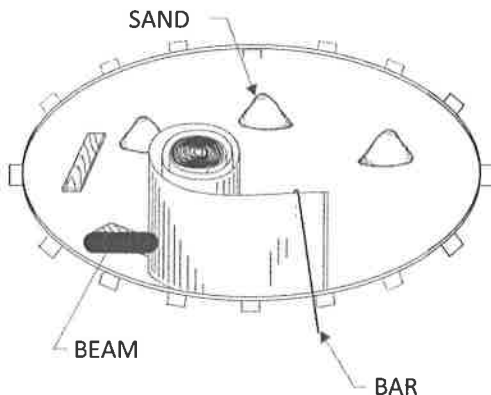
C	POOL DIAMETER	POOL RADIUS	NUMBER OF TRACKS	NUMBER OF PLATES
10'	3.05m (10'-0")	1.52m (5'-0")	12	12
12'	3.68m (12'-1")	1.84m (6'-1/2")	10	10
15'	4.57m (15'-0")	2.29m (7'-6")	10	10
18'	5.44m (17'-10")	2.72m (8'-11")	12	12
21'	6.38m (20'-11")	3.19m (10'-5 1/2")	14	14
24'	7.29m (23'-11")	3.64m (11'-11 1/2")	16	16
27'	8.18m (26'-10")	4.09m (13'-5")	18	18
30'	9.09m (29'-10")	4.55m (14'-11")	20	20
33'	10.01m (32'-10")	5.0m (16'-5")	22	22

6

WALL INSTALLATION

When installing the steel wall, it is important to do so in a location protected from the wind or on a day without any wind.

Before uncoiling the wall, make sure the pre-punched holes for the skimmer and pump return are at the top and facing the planned location of your filter.



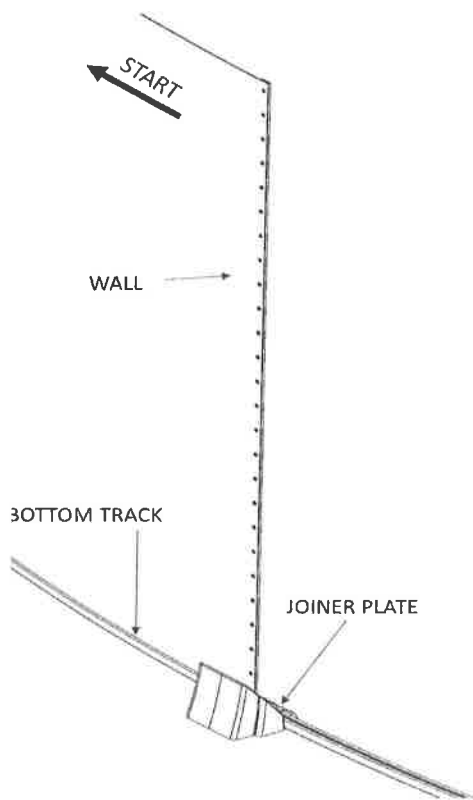
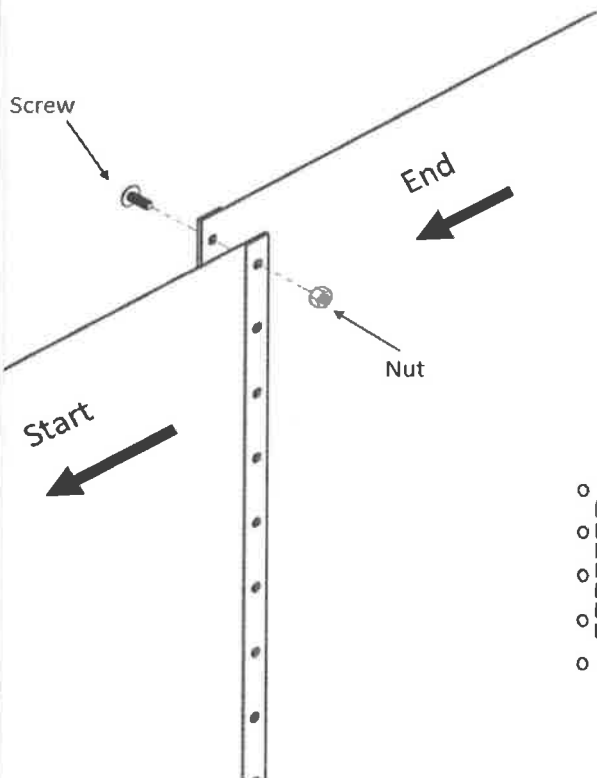


Illustration 7.1 View from the outside of the pool.



Begin inserting the wall into the bottom wall tracks in the middle of a joiner plate. At first, the wall should be kept in place with one or two support bars (or extra persons). One person should uncoil the wall on a beam or a plank while a second person inserts it in the bottom wall tracks. Do not uncoil more than 3 m (10') of wall before you install a support bar to reinforce the structure.

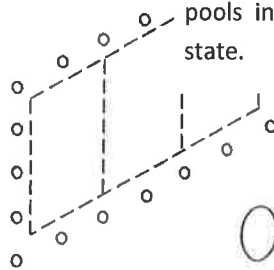
Once the wall is completely uncoiled, you may find that it is too long or that both ends do not meet by a few centimetres. If such is the case, you must gently push the wall in or out. If this does not work, roll up the wall again, realign the grooves and uncoil the wall once more. If the spread is too wide, measure the wall and check it against the following chart.

When you prepare to join the ends of the wall, make sure the end that is reinforced by the fold is inside the circle, facing the liner and that the other end faces outward (See Illustration 7.1). When the wall joint is screwed, install the round stabilisers on top of it.

Chart

C	ACTUAL LENGTH OF WALL
10'	9.55m (31'-4")
12'	11.59m (38'-0 5/16")
15'	14.38m (47'-2 1/4")
18'	17.08m (56'-0 1/4")
21'	20.03m (65'-8 9/16")
24'	22.88m (75'-0 7/8")
27'	25.69m (84'-3 9/16")
30'	28.61m (93'-10 1/4")
33'	2 x 15.72m (51'-6 7/8")

For proper grounding we suggest grounding the second wall bolt from the top of the wall seam. Use a 6 Gauge terminal and a 6 Gauge ground copper wire. Connect the wire to a 36" (1 m) grounding rod that will be inserted into the ground at least 36" (1 m) from the pool's perimeter. Please check the local electrical grounding codes for above ground pools in your county or state, as it varies from state to state.



WARNING

Do not use an impact gun for the wall screws.

Maximum clamping force of 60 in pounds to a maximum of 85 in pounds.



7

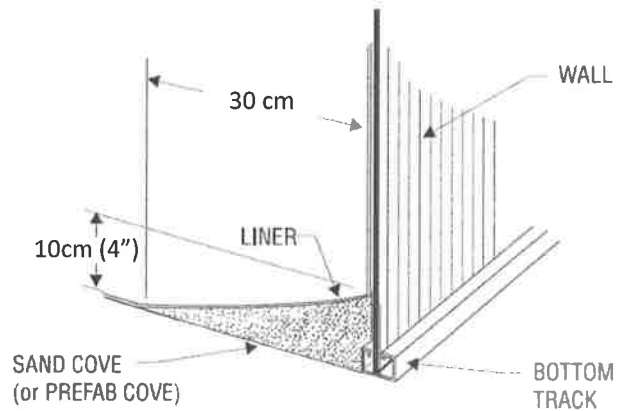
SAND BASE FINISH

Before making the cove of the pool, make sure the radius of the pool is the right size from the center of the pool

You can now spread approximately 10 cm (4") of compacting sand all around the inside base of the wall in order to protect the liner from the cutting edges of the bottom wall tracks and the stone dust (if applicable) or install a pre-fabricated cove, if available.

SAND BASE FINISHING

Level finishing sand one last time. Make sure any sharp stones, debris or roots have been removed from the surface. For better protection, spray sand with water and pack it once more until the base is nicely even.

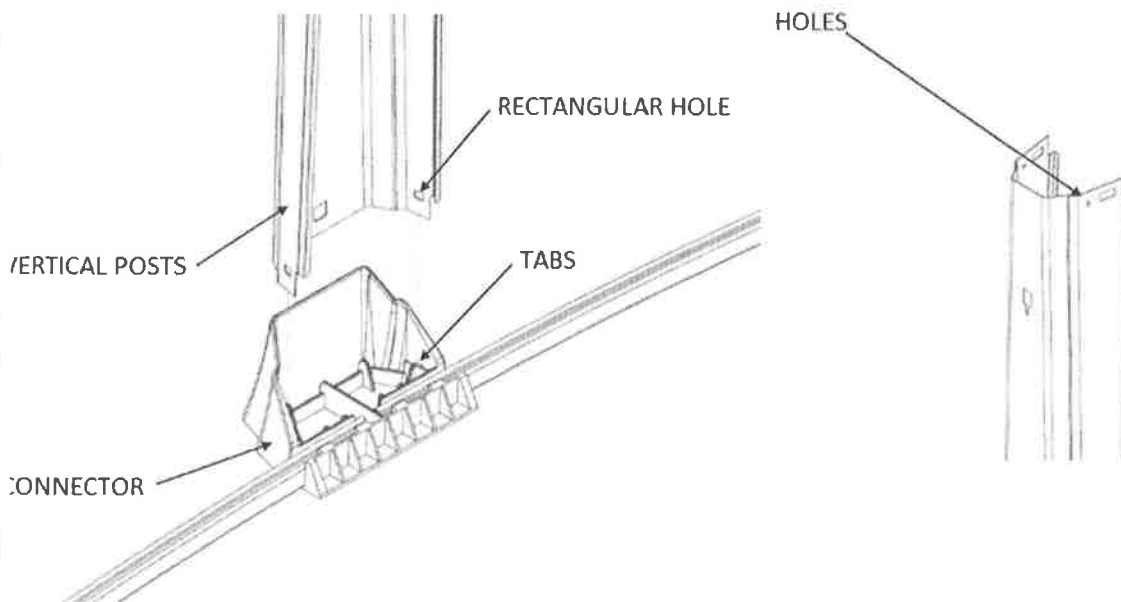


8

UPRIGHT INSTALLATION

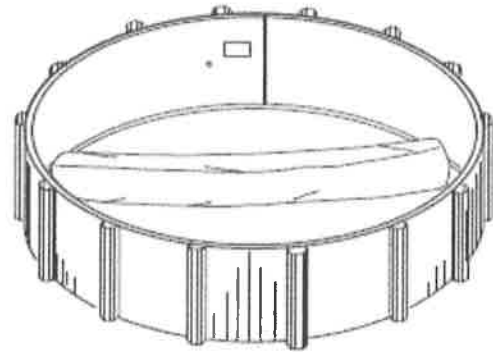
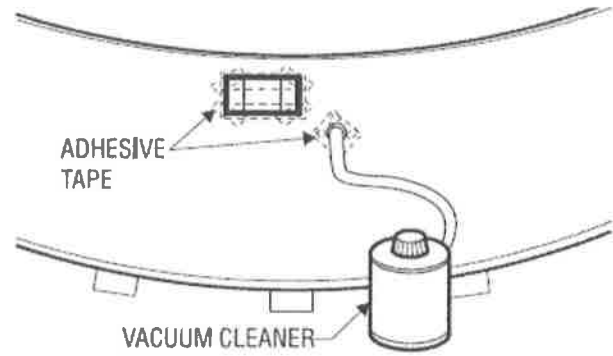
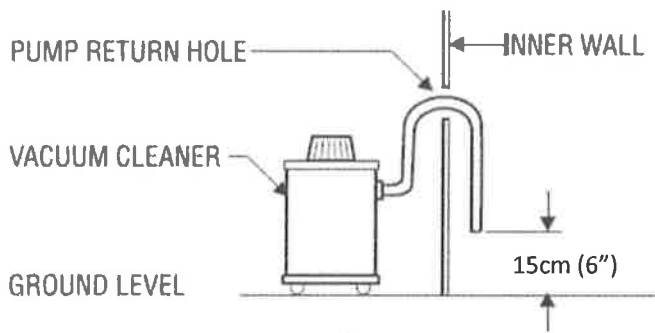
Secure the vertical posts to the foot collar/connector by joining the tabs from the connector to the rectangular holes found on the bottom of the post.

Note that the vertical posts have a top and a bottom. The one with the two (2) holes found on each side is to be the top.



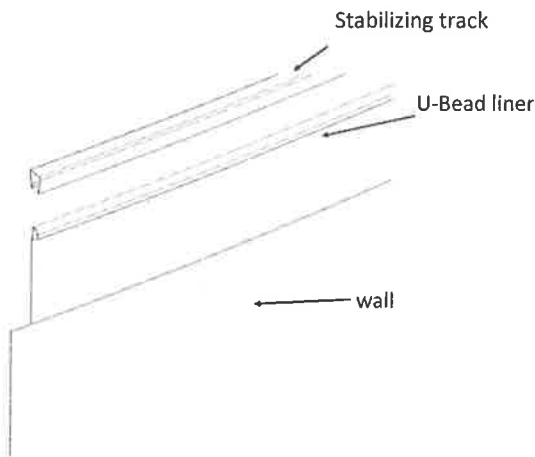
Before pulling the liner up against the wall, insert a vacuum cleaner hose down into the pump return hole to approximately 15 cm (6") from the ground.

Maintain the hose in place with adhesive tape. Don't forget to block the skimmer hole with adhesive tape to prevent air from leaking in. Place the unfolded liner in the center of the pool area at right angles with the skimmer hole. Make sure you wear light, flat-soled shoes to walk on the sand as the slightest heel mark could be visible once the pool is filled.



Carefully unfold the liner (U-Bead or Overlap), bringing the bottom-sidewall seam close to the wall base. Make sure the side with the protruding seam faces downward or that the patterned side faces upward.

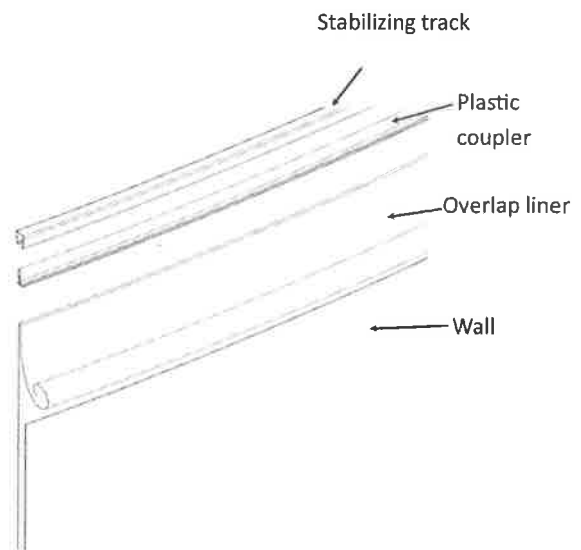
U-bead



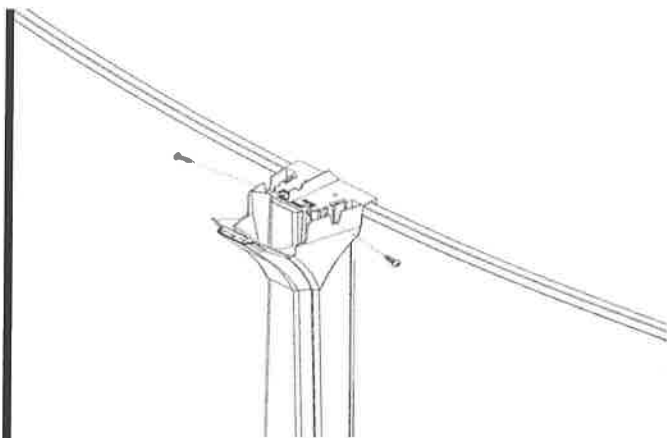
Hang the "U-Bead" liner on the top of the wall and install the round stabilisers to secure.

Overlap

Lift up a section of the "Overlap" liner over the top of the wall while adjusting the tension in the liner to enable stretching of 1 to 2 inches in the wall. Secure the liner with a plastic coupler.



At this point, the liner may be too tight, making it difficult to drape the overlap or, on the contrary, too loose. In such case, you will have to redistribute the tension in the liner by removing some of the couplers and readjusting the liner.



Install the joiner plates on top of each upright then install metal screws at the top of the support posts, making sure the support posts are perpendicular to the ground.

Fill the pool up to the base of the wall before stopping and removing the vacuum cleaner.

PUMP RETURN FITTING

After you remove the vacuum cleaner, you may install the return fitting.

Place the return fitting ring against the liner and adjust it so that it is perfectly aligned with the hole in the wall.

When the ring is properly positioned and secured, cut the liner in the middle of the ring.

Insert the return fitting from the inside, placing the first gasket between the return fitting and the liner and the second between the wall and the liner. Then tighten the outside ring with large pliers, taking care not to crease the liner.

BOTTOM DRAIN (optional)

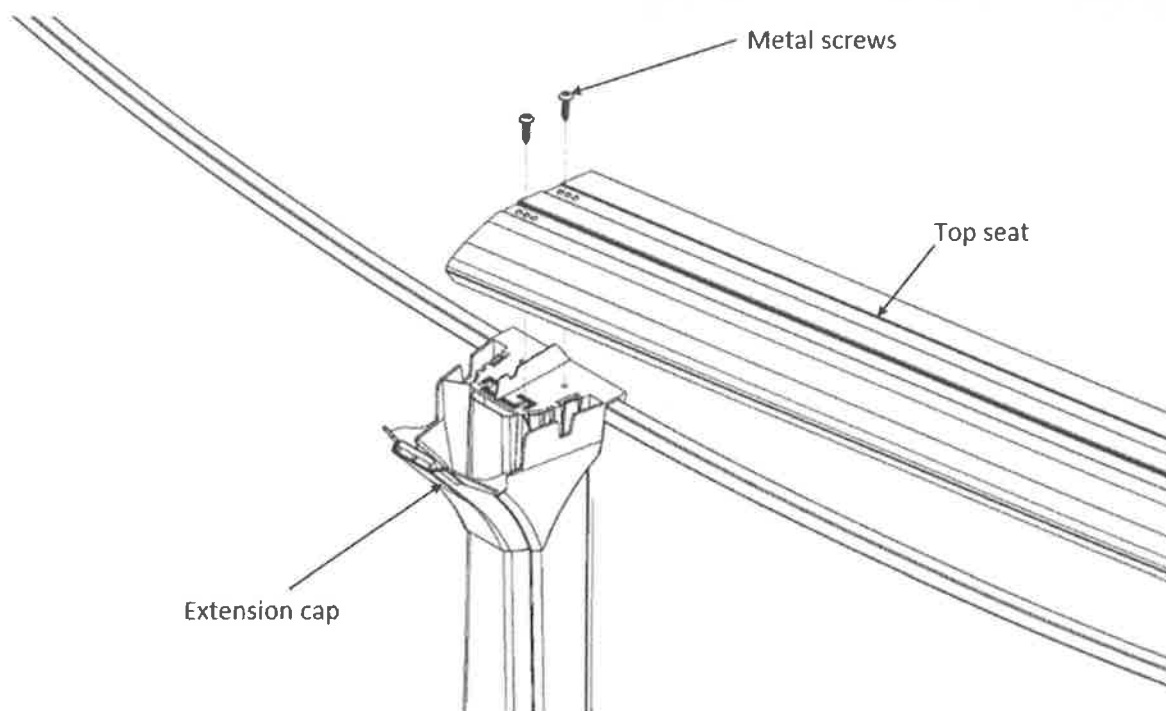
Find the holes through the middle of the liner and screw the ring and gasket in against the liner before cutting the liner in the middle of the ring, then screw on the drain cover.

10

TOP SEAT INSTALLATION

Place the top seats on top of the extension cap and secure each section using four (4) metal screws. Attach the end of each top seat section to the surface of the extension caps.

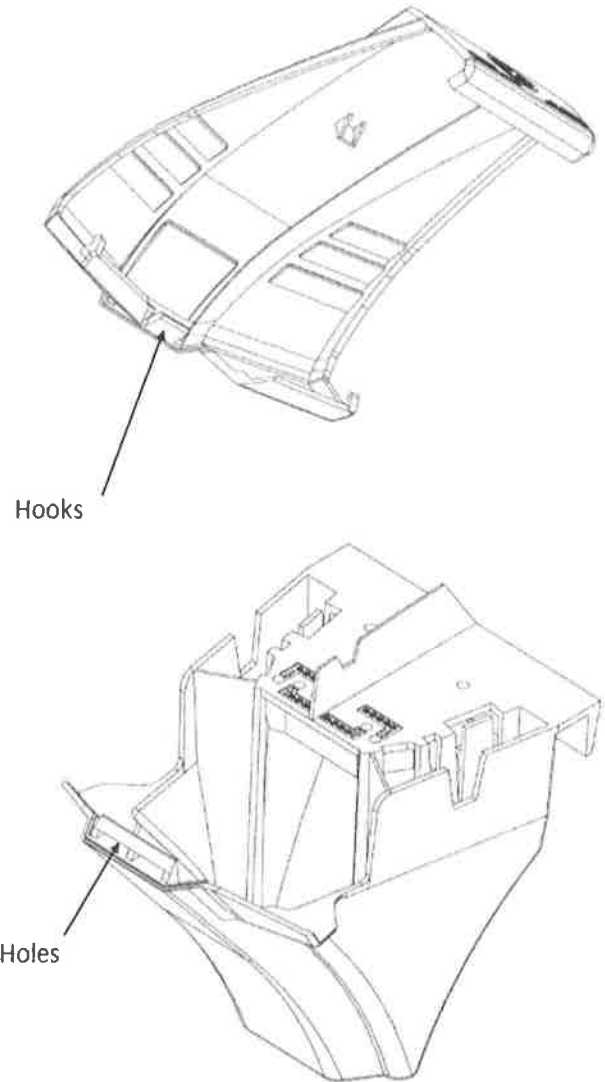
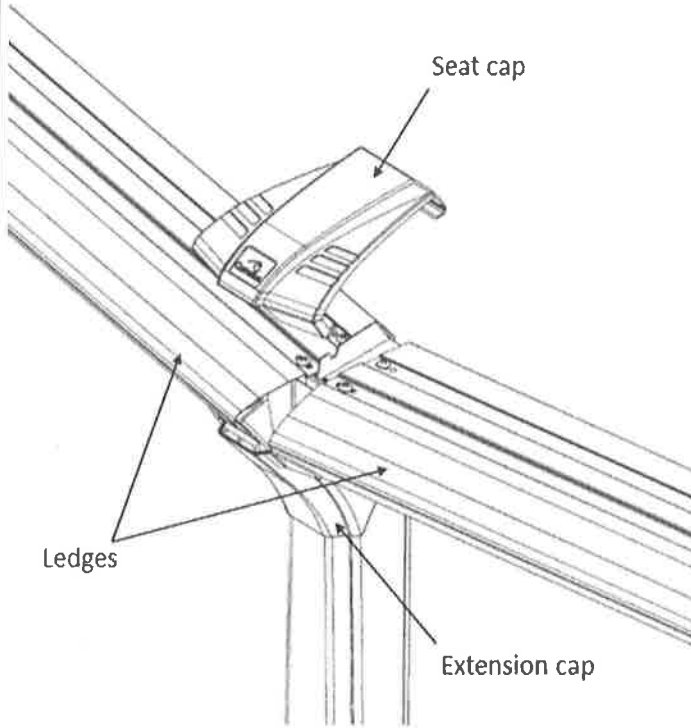
Top seats must be centered on the joiner plate and equally distributed all around the pool.



11

SEAT CAP INSTALLATION

Install the seat cap to the interior side of the ledge. Secure both (2) parts together by joining the two (2) holes found on the front of the extension cap with the hooks from the seat cap.



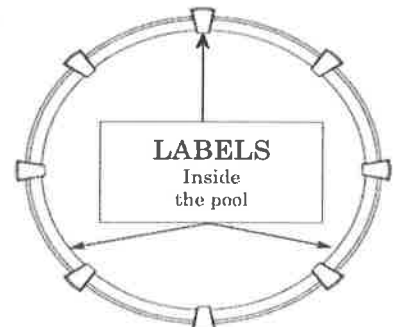
12

SAFETY LABELS INSTALLATION

Install the four (4) safety labels (DANGER) supplied with your pool as follows: two (2) labels visible at the entrance to the pool and two (2) visible at the main access of the backyard.



Install a minimum of three (3) safety labels (supplied with the liner) inside the pool so that at least one label is visible no matter where the bather enters the water (See drawing for positioning).



Important: if you require additional labels, please contact us at Corneliuspools.com.

Note: See the safety section.

As described, all components of the filtration system should be placed to prevent a child to climb on top and gain access to the pool.

Using a little bit of stone dust (or sand), level a 61 cm x 76 cm (24" x 30") patio stone before installing the motor and filter.

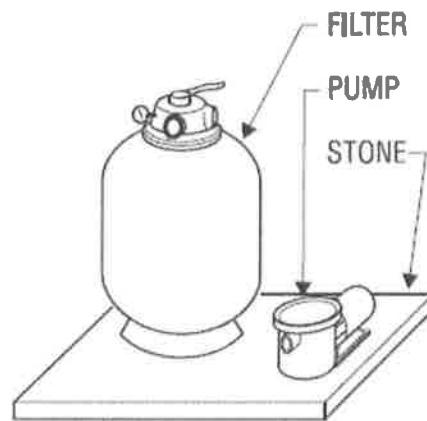
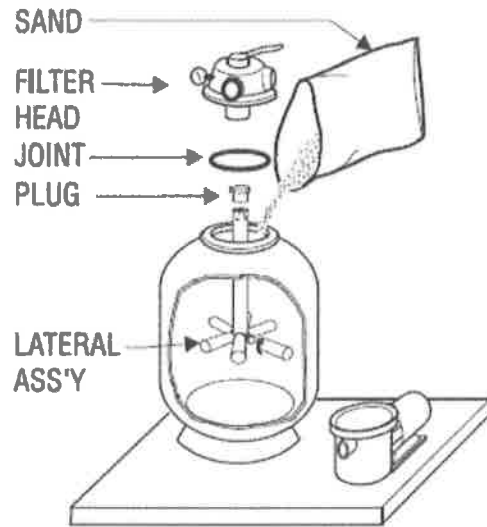
Position the motor on the stone and insert the two nozzles to connect the hoses.

Then, install the filter tank. Adjust the lateral assembly properly in its channel.

It is sometimes necessary to install the laterals.

Patch the center hole of the lateral assembly using the plug to allow filtering sand to flow into the tank.

Remove plug. Install joint in cavity and secure filter head by placing back wash position on opposite side of the pool.



Install necessary nozzles. Then, connect hoses collars.

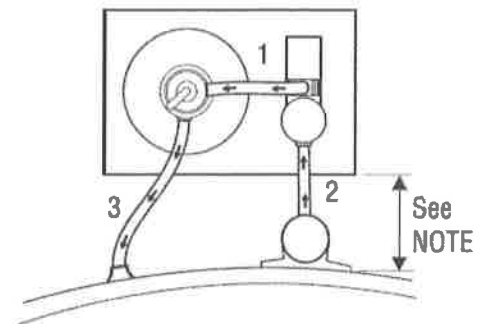
1- The first hose goes from the top of the pump to the side of the filter head.

2- The second one goes from the motor to the skimmer (or to the bottom drain valve).

3- The third goes from the front to the filter head or the water return or from the front of the chlorinator to the water return.

A back wash hose may be placed behind the filter head.

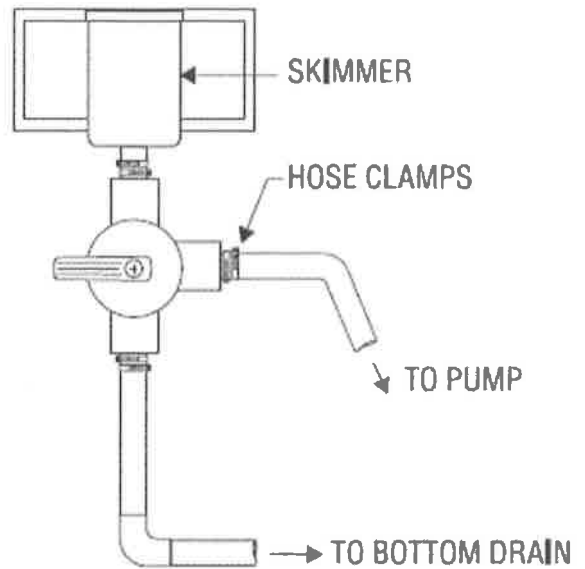
If there is a chlorinator and/or heat pump, they must be assembled at the filter outlet.



Insert threaded nozzles, if applicable, in order to be able to screw the valve in the skimmer.

Connect the drain hose to the bottom nozzle. Connect the motor hose to the side nozzle.

The threads on all threaded nozzles must be covered with teflon tape prior to installing in order to prevent water leaks. Teflon is applied to the threads as follows: little or none on the first few threads (to facilitate introduction) and several layers towards the end threads (for better watertightness).



CAPRI/ZEPHYR 52"/54"

10'			
ARTICLE	DESCRIPTION	CODE	QUANTITY
A	Wall of 9.55m (31' - 4")		1
B	Bag of screws & nuts 1/4-20 (wall)	850231	1
C	Uprights 52"/54"	7720MK52R4/7720MK54R4	8
D	Seat Cap	8773LXRB/8774LXRB	8
E	Extension Cap	8776LXR	8
F	Foot Collar/Combo	7FCCOMBOLXR	8
G	Ledge	881010RML	8
H	Top Track	R20036	8
I	Bottom Track	R2031012	8
J	Bag of 50 screws #14 x 1"	8501RS50	1
J	Bag of 60 screws #14 x 1"	8501RS60	0

15'			
ARTICLE	DESCRIPTION	CODE	QUANTITY
A	Wall of 14.38m (47' - 2 1/4")		1
B	Bag of screws & nuts 1/4-20 (wall)	850231	1
C	Uprights 52"/54"	7720MK52R4/7720MK54R4	10
D	Seat Cap	8773LXRB/8774LXRB	10
E	Extension Cap	8776LXR	10
F	Foot Collar/Combo	7FCCOMBOLXR	10
G	Ledge	881014RML	10
H	Top Track	R2001533	10
I	Bottom Track	R2031518	10
J	Bag of 50 screws #14 x 1"	8501RS50	0
J	Bag of 60 screws #14 x 1"	8501RS60	1

12'			
ARTICLE	DESCRIPTION	CODE	QUANTITY
A	Wall of 11.59m (38' - 0 1/4")		1
B	Bag of screws & nuts 1/4-20 (wall)	850231	1
C	Uprights 52"/54"	7720MK52R4/7720MK54R4	10
D	Seat Cap	8773LXRB/8774LXRB	10
E	Extension Cap	8776LXR	10
F	Foot Collar/Combo	7FCCOMBOLXR	10
G	Ledge	881012RML	10
H	Top Track	R20036	10
I	Bottom Track	R2031012	10
J	Bag of 50 screws #14 x 1"	8501RS50	0
J	Bag of 60 screws #14 x 1"	8501RS60	1

CAPRI/ZEPHYR 52"/54"

18'			
ARTICLE	DESCRIPTION	CODE	QUANTITY
A	Wall of 17.08m (56'-0 1/4")		1
B	Bag of screws & nuts 1/4-20 (wall)	850231	1
C	Uprights 52"/54"	7720MK52R4/7720MK54R4	12
D	Seat Cap	8773LXRB/8774LXRB	12
E	Extension Cap	8776LXR	12
F	Foot Collar/Combo	7FCCOMBOLXR	12
G	Ledge	881014RML	12
H	Top Track	R2001533	12
I	Bottom Track	R2032133	12
J	Bag of 50 screws #14 x 1"	8501RS50	2
J	Bag of 60 screws #14 x 1"	8501RS60	0

24'			
ARTICLE	DESCRIPTION	CODE	QUANTITY
A	Wall of 22.88m (75'-0 7/8")		1
B	Bag of screws & nuts 1/4-20 (wall)	850231	1
C	Uprights 52"/54"	7720MK52R4/7720MK54R4	16
D	Seat Cap	8773LXRB/8774LXRB	16
E	Extension Cap	8776LXR	16
F	Foot Collar/Combo	7FCCOMBOLXR	16
G	Ledge	881014RML	16
H	Top Track	R2001533	16
I	Bottom Track	R2032133	16
J	Bag of 50 screws #14 x 1"	8501RS50	2
J	Bag of 60 screws #14 x 1"	8501RS60	0

21'			
ARTICLE	DESCRIPTION	CODE	QUANTITY
A	Wall of 20.03m (65'-8 9/16")		1
B	Bag of screws & nuts 1/4-20 (wall)	850231	1
C	Uprights 52"/54"	7720MK52R4/7720MK54R4	14
D	Seat Cap	8773LXRB/8774LXRB	14
E	Extension Cap	8776LXR	14
F	Foot Collar/Combo	7FCCOMBOLXR	14
G	Ledge	881014RML	14
H	Top Track	R2001533	14
I	Bottom Track	R2032133	14
J	Bag of 50 screws #14 x 1"	8501RS50	2
J	Bag of 60 screws #14 x 1"	8501RS60	0

CAPRI/ZEPHYR 52"/54"

27'			
ARTICLE	DESCRIPTION	CODE	QUANTITY
A	Wall of 25,69 m (84'-3 9/16")		1
B	Bag of screws & nuts 1/4-20 (wall)	850231	1
C	Uprights 52"/54"	7720MK52R4/7720MK54R4	18
D	Seat Cap	8773LXRB/8774LXRB	18
E	Extension Cap	8776LXR	18
F	Foot Collar/Combo	7FCCOMBOLXR	18
G	Ledge	881014RML	18
H	Top Track	R2001533	18
I	Bottom Track	R2032133	18
J	Bag of 50 screws #14 x 1"	8501RSS50	1
J	Bag of 60 screws #14 x 1"	8501RS60	1

33'			
ARTICLE	DESCRIPTION	CODE	QUANTITY
A	Wall of 15,72 m (51'-6 7/8")		2
B	Bag of screws & nuts 1/4-20 (wall)	850231	2
C	Uprights 52"/54"	7720MK52R4/7720MK54R4	22
D	Seat Cap	8773LXRB/8774LXRB	22
E	Extension Cap	8776LXR	22
F	Foot Collar/Combo	7FCCOMBOLXR	22
G	Ledge	881014RML	22
H	Top Track	R2001533	22
I	Bottom Track	R2032133	22
J	Bag of 50 screws #14 x 1"	8501RSS50	3
J	Bag of 60 screws #14 x 1"	8501RS60	0

30'			
ARTICLE	DESCRIPTION	CODE	QUANTITY
A	Wall of 28,61 m (93'-10 1/4")		1
B	Bag of screws & nuts 1/4-20 (wall)	850231	1
C	Uprights 52"/54"	7720MK52R4/7720MK54R4	20
D	Seat Cap	8773LXRB/8774LXRB	20
E	Extension Cap	8776LXR	20
F	Foot Collar/Combo	7FCCOMBOLXR	20
G	Ledge	881014RML	20
H	Top Track	R2032133	20
I	Bottom Track	R2011533	20
J	Bag of 50 screws #14 x 1"	8501RSS50	0
J	Bag of 60 screws #14 x 1"	8501RS60	2

BORA/BRISA 52"/54"

10'			
ARTICLE	DESCRIPTION	CODE	QUANTITY
A	Wall of 9.55m (31' - 4")		1
B	Bag of screws & nuts 1/4-20(wall)	850231	1
C	Uprights 52"/54"	7720MK52R4/7720MK54R4	8
D	Seat Cap	8773LXRB	8
E	Extension Cap	8776LXR	8
F	Foot Collar/Combo	7FCCOMBOLXR	8
G	Ledge	871010RML	8
H&I	Top & Bottom Track	610100	16
J	Bag of 50 screws #14 x 1"	8501RS50	1
J	Bag of 60 screws #14 x 1"	8501RS60	0
K	Ledge Support PVC 4"	60545	16

15'			
ARTICLE	DESCRIPTION	CODE	QUANTITY
A	Wall of 14.38m (47' - 2 1/4")		1
B	Bag of screws & nuts 1/4-20 (wall)	850231	1
C	Uprights 52"/54"	7720MK52R4/7720MK54R4	10
D	Seat Cap	8773LXRB	10
E	Extension Cap	8776LXR	10
F	Foot Collar/Combo	7FCCOMBOLXR	10
G	Ledge	871014RML	10
H&I	Top & Bottom Track	610121	20
J	Bag of 50 screws #14 x 1"	8501RS50	0
J	Bag of 60 screws #14 x 1"	8501RS60	1
K	Ledge Support PVC 4"	60545	20

12'			
ARTICLE	DESCRIPTION	CODE	QUANTITY
A	Wall of 11.59m (38' - 0 1/4")		1
B	Bag of screws & nuts 1/4-20 (wall)	850231	1
C	Uprights 52"/54"	7720MK52R4/7720MK54R4	10
D	Seat Cap	8773LXRB	10
E	Extension Cap	8776LXR	10
F	Foot Collar/Combo	7FCCOMBOLXR	10
G	Ledge	871012RML	10
H&I	Top & Bottom Track	610138	20
J	Bag of 50 screws #14 x 1"	8501RS50	0
J	Bag of 60 screws #14 x 1"	8501RS60	1
K	Ledge Support PVC 4"	60545	20

BORA/BRISA 52"/54"

18'

ARTICLE	DESCRIPTION	CODE	QUANTITY
A	Wall of 17.08m (56'-0 1/4")		1
B	Bag of screws & nuts 1/4-20 (wall)	850231	1
C	Uprights 52"/54"	7720MK52R4/7720MK54R4	12
D	Seat Cap	8773LXRB	12
E	Extension Cap	8776LXR	12
F	Foot Collar/Combo	7FCCOMBOLXR	12
G	Ledge	871014RMIL	12
H&I	Top & Bottom Track	610122	24
J	Bag of 50 screws #14 x 1"	8501RS50	2
J	Bag of 60 screws #14 x 1"	8501RS60	0
K	Ledge Support PVC 4"	60545	24

24'

ARTICLE	DESCRIPTION	CODE	QUANTITY
A	Wall of 22.88m (75'-0 7/8")		1
B	Bag of screws & nuts 1/4-20 (wall)	850231	1
C	Uprights 52"/54"	7720MK52R4/7720MK54R4	16
D	Seat Cap	8773LXRB	16
E	Extension Cap	8776LXR	16
F	Foot Collar/Combo	7FCCOMBOLXR	16
G	Ledge	871014RMIL	16
H&I	Top & Bottom Track	610124	32
J	Bag of 50 screws #14 x 1"	8501RS50	2
J	Bag of 60 screws #14 x 1"	8501RS60	0
K	Ledge Support PVC 4"	60545	32

21'

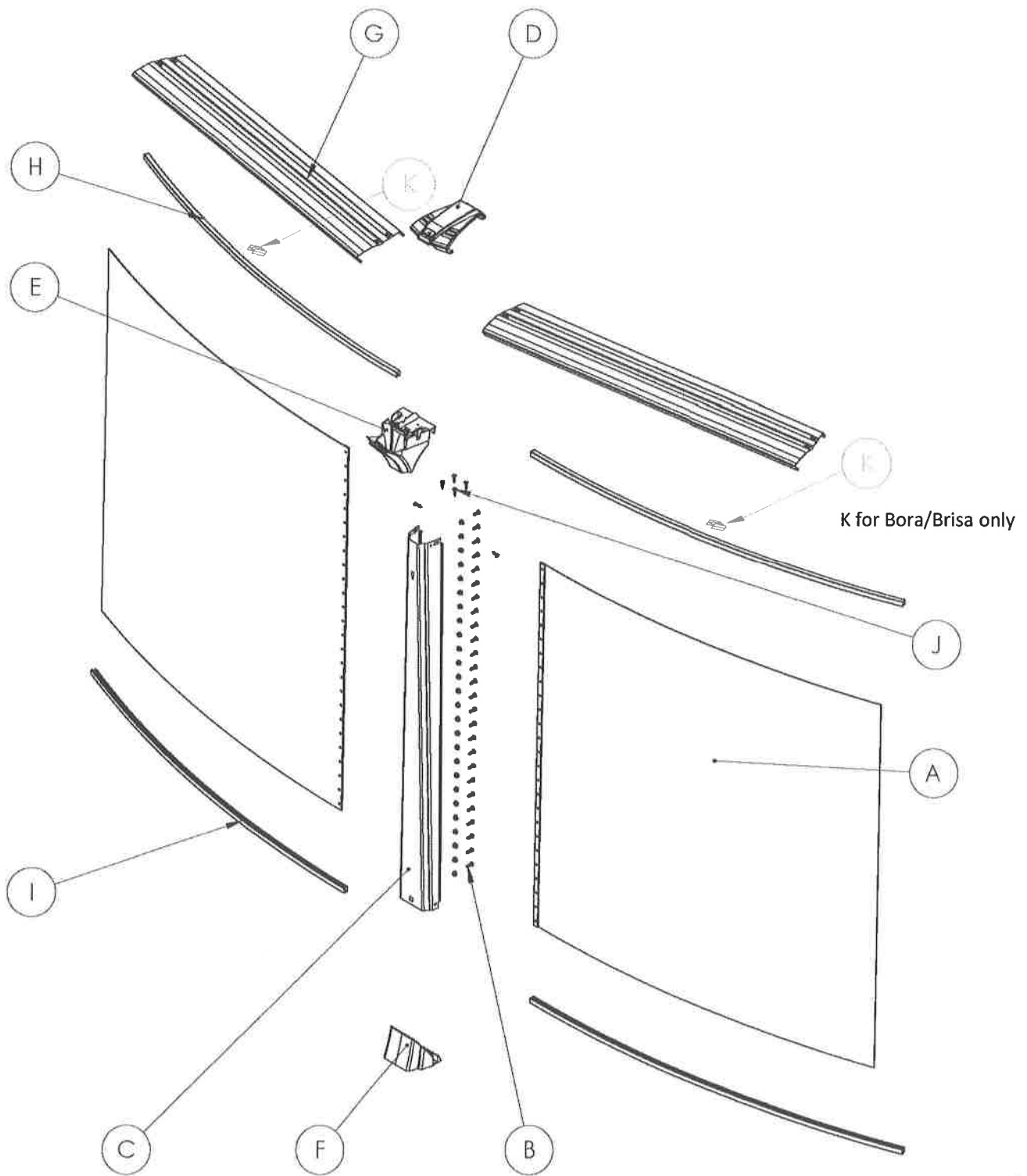
ARTICLE	DESCRIPTION	CODE	QUANTITY
A	Wall of 20.03m (65'-8 9/16")		1
B	Bag of screws & nuts 1/4-20 (wall)	850231	1
C	Uprights 52"/54"	7720MK52R4/7720MK54R4	14
D	Seat Cap	8773LXRB	14
E	Extension Cap	8776LXR	14
F	Foot Collar/Combo	7FCCOMBOLXR	14
G	Ledge	871014RMIL	14
H&I	Top & Bottom Track	610123	28
J	Bag of 50 screws #14 x 1"	8501RS50	2
J	Bag of 60 screws #14 x 1"	8501RS60	0
K	Ledge Support PVC 4"	60545	28

BORA/BRISA 52"/54"

27'			
ARTICLE	DESCRIPTION	CODE	QUANTITY
A	Wall of 25,69 m (84'-3 9/16")		1
B	Bag of screws & nuts 1/4-20 (wall)	850231	1
C	Uprights 52"/54"	7720MK52R4/7720MK54R4	18
D	Seat Cap	8773LXRB	18
E	Extension Cap	8776LXR	18
F	Foot Collar/Combo	7FCCOMBOLXR	18
G	Ledge	871014RML	18
H&I	Top & Bottom Track	610125	36
J	Bag of 50 screws #14 x 1"	8501RS50	1
J	Bag of 60 screws #14 x 1"	8501RS60	1
K	Ledge Support PVC 4"	60545	36

33'			
ARTICLE	DESCRIPTION	CODE	QUANTITY
A	Wall of 15,72 m (51'-6 7/8")		2
B	Bag of screws & nuts 1/4-20 (wall)	850231	2
C	Uprights 52"/54"	7720MK52R4/7720MK54R4	22
D	Seat Cap	8773LXRB	22
E	Extension Cap	8776LXR	22
F	Foot Collar/Combo	7FCCOMBOLXR	22
G	Ledge	871014RML	22
H&I	Top & Bottom Track	610125	44
J	Bag of 50 screws #14 x 1"	8501RS50	3
J	Bag of 60 screws #14 x 1"	8501RS60	0
K	Ledge Support PVC 4"	60545	44

30'			
ARTICLE	DESCRIPTION	CODE	QUANTITY
A	Wall of 28,61 m (93'-10 1/4")		1
B	Bag of screws & nuts 1/4-20 (wall)	850231	1
C	Uprights 52"/54"	7720MK52R4/7720MK54R4	20
D	Seat Cap	8773LXRB	20
E	Extension Cap	8776LXR	20
F	Foot Collar/Combo	7FCCOMBOLXR	20
G	Ledge	871014RML	20
H&I	Top & Bottom Track	610125	40
J	Bag of 50 screws #14 x 1"	8501RS50	0
J	Bag of 60 screws #14 x 1"	8501RS60	2
K	Ledge Support PVC 4"	60545	40





INSTRUCTIONS D'ASSEMBLAGE
PISCINE RONDE

C

Cher (e) client (e)

Félicitations, vous avez fait l'acquisition d'une piscine d'une qualité et durabilité supérieure. Suivez les instructions attentivement pour obtenir les meilleurs résultats possibles. Toute dérogation à la marche à suivre peut occasionner des dommages à votre piscine ou votre propriété et annuler votre garantie. Nous vous suggérons de lire attentivement les instructions au préalable, afin de vous familiariser avec les différentes pièces de votre piscine. Assurez-vous de bien comprendre toutes les étapes avant de commencer l'assemblage.

Nous recommandons fortement de faire installer votre piscine par un professionnel.

Nous vous souhaitons un été des plus agréable et rafraîchissant.

AVERTISSEMENT : Assurez-vous d'avoir lu la section "Sécurité " avant de commencer l'installation de
Votre piscine.



AVERTISSEMENT : Votre piscine n'est pas conçue pour le plongeon et/ou les sauts tête première. Pour votre sécurité, s'il vous plaît, ne pas plonger. Plonger peut causer de graves blessures ou la mort.

INSTALLATEUR: Une fois l'installation de la piscine terminée, il est important de remettre ce document en main propre au client.

TABLE DES MATIÈRES

Description	Page
1. SÉCURITÉ	1
2. INSTRUCTION D'ASSEMBLAGE	4
3. NIVELLEMENT DU TERRAIN	5
4. INSTALLATION DU DRAIN DE FOND (OPTIONNEL)	6
5. ASSEMBLAGE DES RAINURES INFÉRIEURES	7
6. INSTALLATION DE LA PAROI	7
7. FINITION DU FOND	9
8. INSTALLATION DES MONTANTS VERTICAUX	9
9. INSTALLATION DE LA TOILE DE VINYLE	10
10. INSTALLATION DES SIÈGES	11
11. INSTALLATION DES COUVRE-JOINTS DE SIÈGES	12
12. INSTALLATION DES ÉTIQUETTES DE SÉCURITÉ	12
13. MONTAGE DU SYSTÈME DE FILTRATION	13
14. MONTAGE DE LA VALVE DE DRAIN (OPTIONNEL)	14
15. LISTE DES PIÈCES	15
16. GARANTIE: La garantie générale est disponible sur le site web www.corneliuspools.com , dans chaque page produits sous la section contenu téléchargeable.	

LE PLAISIR PASSE D'ABORD ET AVANT TOUT PAR LA SÉCURITÉ

Veillez lire ceci avant de procéder à l'installation de votre piscine hors terre.

RENSEIGNEMENTS GÉNÉRAUX

Votre piscine peut être sujette à une usure et à une détérioration prématurée si elle n'est pas entretenue adéquatement. Cela pourrait entraîner une défaillance de la structure de la piscine, ce qui pourrait provoquer la libération de grandes quantités d'eau et causer des dommages, des blessures et même la mort.

Nous recommandons fortement de faire installer votre piscine par un professionnel. Avant de procéder à l'installation de votre piscine, il est conseillé de vous familiariser avec les règlements du code du bâtiment de votre localité, avec les règlements de zonage et avec le code d'électricité, puis déterminer si un permis de construction ou des travaux électriques sont nécessaires. Il se peut que les règlements de votre localité exigent que votre piscine soit installée selon certaines marges de retrait, que vous deviez installer une clôture ou autre dispositif, ou que vous vous soumettiez à d'autres exigences particulières

AVERTISSEMENT : Toutes les composantes telles que le système de filtration, les pompes et le chauffe-eau doivent être installées de façon à ne pas pouvoir être utilisées par quiconque pour pénétrer dans la piscine, ce qui risquerait de leur causer des blessures sérieuses et même entraîner la mort.

Nous ne sommes pas responsables des erreurs d'installation de votre piscine. Nous ne sommes affiliés à aucun installateur de piscine et n'assumons aucune responsabilité pour les dommages résultant d'une mauvaise installation de la part de l'acheteur ou d'un installateur professionnel. L'acheteur doit superviser l'installation de la piscine afin de s'assurer que les méthodes d'installation soient conformes au manuel d'installation inclus avec votre piscine. Des autocollants «**NE PAS PLONGER NE PAS SAUTER**» et «**PRÉVENEZ LA NOYADE**» sont fournis avec votre piscine. Ils doivent être apposés sur la paroi intérieure de votre piscine, au dessus du niveau de l'eau. Toute personne entrant dans la piscine devrait être en mesure de voir ces autocollants. Si vous désirez obtenir des autocollants additionnels, vous pouvez en commander à l'adresse <https://www.corneliuspools.com/contact/> ou au 1-800-448-7384.

ÉQUIPEMENT DE SÉCURITÉ

Pour votre propre protection et pour la sécurité des autres, nous recommandons que le matériel de sauvetage soit accessible en tout temps. Nous recommandons de se procurer le matériel suivant :

Une perche légère, résistante et rigide d'au moins 4 mètres de long ou une corde mesurant au moins 0,6 cm de diamètre et au moins une fois et demi (1,5x) la largeur ou le diamètre de votre piscine. La corde doit être solidement attachée à une bouée d'environ 40 cm de diamètre extérieur, approuvée par la garde côtière.

CONSEILS DE SÉCURITÉ POUR L'ÉCHELLE

Malgré le fait que nous ne soyons pas fabricant d'échelles, l'utilisation appropriée d'une échelle fait partie des mesures de sécurité liées à l'utilisation de votre piscine.

Les normes ANSI exigent que toutes les piscines soient munies d'une échelle de piscine fixe et conforme, pour entrer dans la piscine et en sortir. L'acheteur doit suivre les instructions d'installation du fabricant de l'échelle de piscine. Nous suggérons de suivre les règles suivantes lors de l'utilisation de votre échelle :

- Une seule personne à la fois sur l'échelle.
- Lorsque vous montez ou descendez de l'échelle, vous devez faire face à cette dernière.
- **NE PAS PLONGER NI SAUTER** des marches ou de l'échelle.
- Vérifiez tous les écrous et boulons régulièrement pour s'assurer que l'échelle ne représente aucun danger.
- Expliquez à tous les utilisateurs les règles d'utilisation des échelles et des marches.
- Assurez-vous que l'échelle soit conforme aux normes de sécurité locale.

CONSIGNES DE SÉCURITÉ LORS DE L'UTILISATION DE LA PISCINE

1- Partagez les consignes de sécurité avec votre famille, vos amis, les surveillants de la piscine ou vos voisins.

2- Assurez-vous que l'installateur de la piscine ou celui qui changera la toile de vinyle appose les autocollants de consignes de sécurité sur la toile (à l'intérieur de la piscine au dessus du niveau de l'eau ou bien en vue sur la structure extérieure de la piscine).

3- Le propriétaire doit expliquer aux baigneurs les règles de sécurité de la piscine, et tout particulièrement à ceux qui l'utilisent pour la première fois. Pour que les usagers puissent retenir les consignes de sécurité, nous vous suggérons de leur proposer de relire les autocollants de la piscine sur une base régulière.

4- Ne jamais plonger, sauter ou glisser dans une piscine hors terre, car il y a un risque élevé de frapper le fond de la piscine et de provoquer des blessures graves ou même la mort. Veuillez toujours utiliser l'échelle ou la marche de la piscine pour y entrer et en sortir, et assurez-vous de toujours descendre les pieds en premier. Pour de plus amples renseignements, veuillez consulter les instructions du fabricant de votre échelle de piscine.

5- La marche ou l'échelle de la piscine doit être solidement fixée à la structure de la piscine ou à la plate forme. En tout temps, un mécanisme de sécurité doit empêcher toute personne, en particulier un enfant, d'accéder à l'eau de la piscine, sinon veuillez vous assurer que l'échelle soit retirée après la baignade. Veuillez consulter votre municipalité pour connaître les règlements locaux.

6- Ne jamais se baigner seul.

7- Alcool et drogues ne vont pas de pair avec la sécurité. Les personnes sous l'emprise de l'alcool ou de la drogue devraient se voir interdire l'accès à la piscine.

8- La surveillance des baigneurs par un adulte est requise. Ne jamais quitter les baigneurs des yeux, et ce, même pour quelques secondes. Désignez un surveillant adulte en votre absence. Assurez-vous que vous, ou votre surveillant, soyez en mesure d'intervenir en moins de 10 secondes lorsqu'un danger est imminent.

9- Lors de la disparition d'un enfant, regardez toujours en premier dans la piscine.

10- Soyez prévoyants et proactifs pour éviter toute noyade ou invalidité.

11- Il est fortement recommandé aux propriétaires et aux surveillants de la piscine de suivre un cours de Réanimation Cardio Respiratoire (RCR).

12- ATTENTION! Une toile d'hiver ou solaire n'est pas considérée comme un équipement de sécurité pouvant éviter la noyade ou une invalidité permanente. Lors de la baignade, veuillez retirer complètement la toile solaire: cette dernière pourrait empêcher le baigneur de respirer en remontant à la surface.

13- Assurez-vous de posséder un équipement de secourisme adéquat, tel qu'une perche avec crochet et une bouée de sauvetage, près de la piscine.

14- Assurez-vous qu'un téléphone fonctionnel soit à la portée de la main du surveillant.

NOTE: si le service 911 n'est pas disponible dans votre localité, veuillez vous assurer que le numéro des services de secours soit facilement accessible.

15- Certains accidents causés par le système de filtration peuvent survenir lors de la baignade:

- Les cheveux peuvent être aspirés par le drain au fond de l'écumoire. SOLUTION: assurez-vous que les baigneurs avec les cheveux longs portent un bonnet de bain.
- Les doigts, les orteils, les bijoux et le maillot de bain peuvent rester pris dans le drain de fond. SOLUTION: assurez-vous que le couvercle du drain soit présent et en bon état.
- Le ventre, le dos ou le bas du dos peuvent rester collés sur le drain. SOLUTION: assurez-vous que la succion du drain soit partagée avec l'écumoire ou complètement fermée.

16- Le circuit électrique doit être conforme au code électrique de votre région.

17- Lors de baignades nocturnes, un système d'éclairage doit permettre de voir la piscine, l'échelle, les consignes de sécurité ainsi que le trajet pour se rendre à la piscine ou en sortir.

18- Toutes les composantes du système de filtration doivent être positionnées de façon à ne pas permettre à un enfant de grimper dessus et avoir accès à la piscine.

19– La plateforme de la piscine (« deck », si installée) doit être libre de tout objet pouvant faire trébucher les usagers. Nous recommandons d'apposer une surface antidérapante sur la plateforme pour éviter les chutes accidentelles. Vous devez vous assurer que la plateforme soit solide et stable, en effectuant une inspection régulière des boulons et des clous.

20– Ne laissez personne s'asseoir, grimper, se tenir debout, plonger ou sauter de la bordure.

21– Il est important que l'on puisse voir le fond de la piscine en tout temps, sans quoi vous devrez corriger la limpidité de l'eau avant la baignade.

2

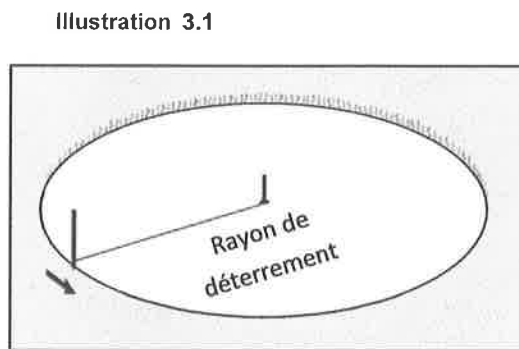
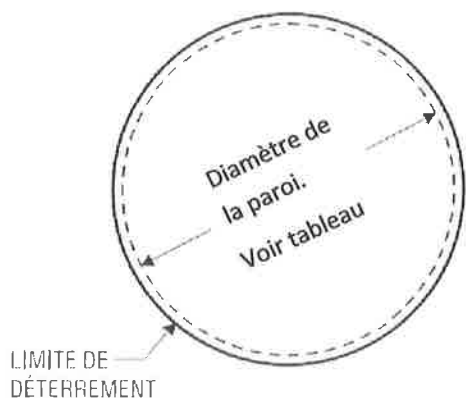
INSTRUCTION D'ASSEMBLAGE

Choisissez l'emplacement idéal en tenant compte des lois municipales quant à la distance des clôtures et de celles des services publiques relatives à la distance des fils électriques, ainsi que de l'aménagement paysager qui suivra l'installation de la piscine.

Plantez un pieu au centre de l'emplacement, et à l'aide d'un ruban à mesurer, tracez un cercle dont le rayon est de 15 cm à 20 cm (6" à 8") de plus que celui du diamètre de la paroi. (voir Illustration 3.1)

Enlevez la pelouse sur toute la surface délimitée par le cercle que vous venez de tracer.

Assurez-vous de commander la quantité de sable et de poussière de roche nécessaire. (Voir Tableau)

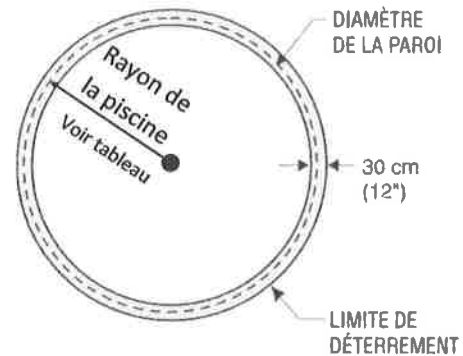


Tableau

C	Diamètre réel de la paroi	Limite de déterrement		Matériaux nécessaires*	
		Rayon	Diamètre	Sable	Poussière de roche
10'	3.05m (10'-0")	2.04m (6'-8 1/2")	4.09m (13'-5")	7/8 tonne	1/4 tonne
12'	3.68m (12'-1")	2.34m (7'-8")	4.67m (15'-4")	1 tonne	1/3 tonne
15'	4.57m (15'-0")	2.49m (8'-2")	4.98m (16'-4")	1 1/4 tonnes	1/2 tonne
18'	5.44m (17'-10")	2.92m (9'-7")	5.84m (19'-2")	1 1/2 tonnes	3/4 tonne
21'	6.38m (20'-11")	3.39m (11'-1 1/2")	6.78m (22'-3")	1 3/4 tonnes	1 tonne
24'	7.29m (23'-11")	3.85m (12'-7 1/2")	7.70m (25'-3")	2 tonnes	1 1/2 tonnes
27'	8.18m (26'-10")	4.29m (14'-1")	8.59m (28'-2")	2 1/4 tonnes	1 3/4 tonnes
30'	9.09m (29'-10")	4.75m (15'-7")	9.50m (31'-2")	2 1/2 tonnes	2 tonnes
33'	10.01m (32'-10")	5.21m (17'-1")	10.41m (34'-2")	2 3/4 tonnes	2 1/4 tonnes

Vous devez ensuite niveler le contour du cercle, à partir de la limite de déterrement jusqu'à 30 cm (12") à l'intérieur du cercle.

Pour ce faire, utilisez un niveau optique ou laser.



Compactez bien la terre à l'aide d'un pilon ou d'une plaque vibrante (voir Illustrations 4.1 et 4.2) surtout aux endroits où vous avez dû ajouter beaucoup de terre.

Il est également fortement recommandé de raffermir le contour au moyen d'une couche de poussière de roche (ou de sable) d'environ 2 cm (3/4").

Le centre du cercle pourra par la suite être creusé à la profondeur désirée (facultatif) n'excédant pas 15 cm (6") pour une toile standard (voir Illustration 2.3).

Retirez les cailloux, les bouts de bois et autres débris qui se trouvent à l'intérieur du cercle. Éliminez toutes les petites buttes et tassez bien la terre. Étendez du sel pour empêcher la repousse des racines et éloigner les vers de terre, qui sont causes de crevasses post-installation. Étendez également de l'insecticide à fourmis, autre cause de crevasses.

Ajoutez une mince couche de 2 cm (3/4") de sable à compactage afin de protéger la toile.

Assurez-vous d'entrer une quantité suffisante de sable pour la finition du fond.

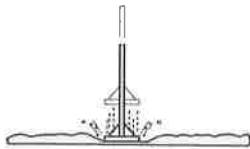


Illustration 4.1



Illustration 4.2

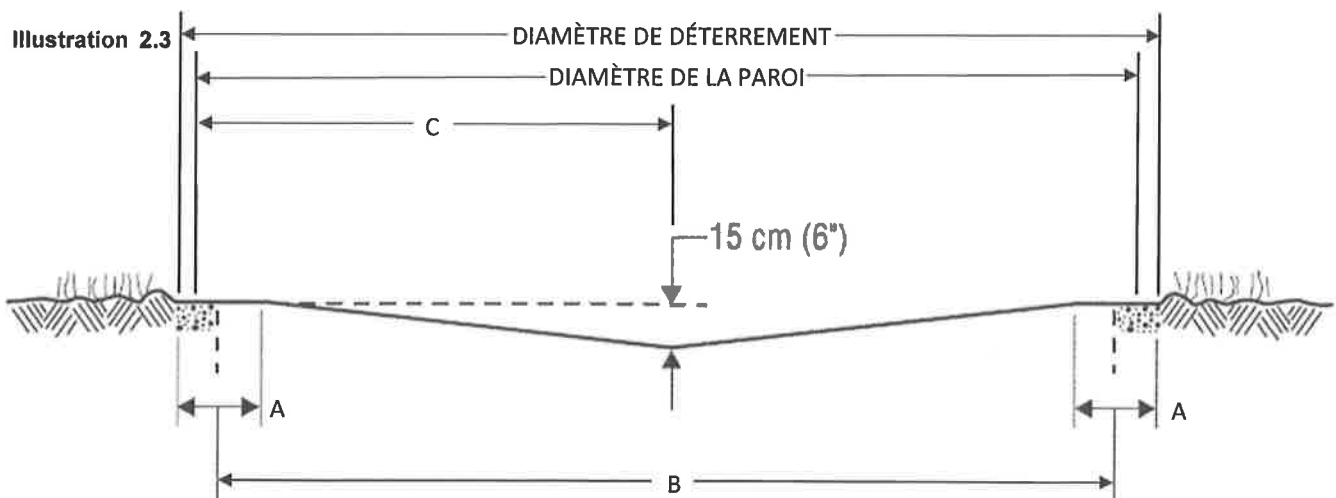


Illustration 2.3

C	PLAT	Diamètre de la paroi	Rayon de la piscine
	A	B	C
10'	1' - 7"	3.05m (10'-0")	1.52m (5'-0")
12'	1' - 9"	3.68m (12'-1")	1.84m (6'-1/2")
15'	2' - 0"	4.57m (15'-0")	2.29m (7'-6")
18'	2' - 6"	5.44m (17'-10")	2.72m (8'-11")
21'	2' - 9"	6.38m (20'-11")	3.19m (10'-5 1/2")
24'	3' - 0"	7.29m (23'-11")	3.64m (11'-11 1/2")
27'	3' - 6"	8.18m (26'-10")	4.09m (13'-5")
30'	3' - 6"	9.09m (29'-10")	4.55m (14'-11")
33'	3' - 6"	10.01m (32'-10")	5.0m (16'-5")

4

INSTALLATION DU DRAIN DE FOND (OPTIONNEL)

Creusez un trou de 30 cm (12") de largeur par environ 25 cm (10") de profondeur en plein centre de la circonférence.

Creusez une tranchée d'environ 15 cm (6") de largeur en allant du trou central jusqu'à l'emplacement du moteur de la piscine. La terre retirée est déposée à côté de la tranchée car elle servira à enterrer le tuyau.

Assemblage du drain

Placez du téflon autour du bouchon fileté et le visser dans le trou du drain. Collez le raccord dans l'ouverture prévue à cet effet.

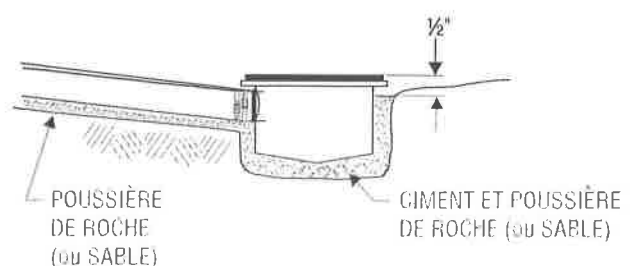
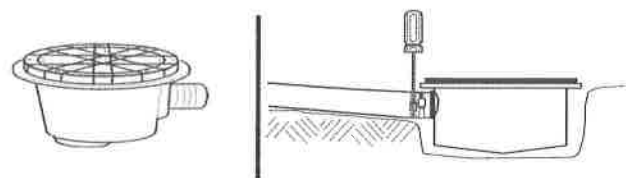
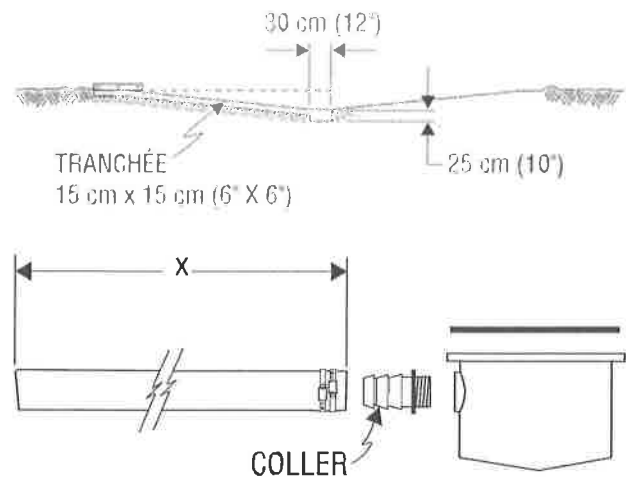
Prendre une des rondelles de caoutchouc et l'ajuster sur le dessus du drain en alignant les trous. Puis fixer avec des lanières de ruban adhésif pour éviter que le sable ne pénètre dans les trous une fois que le drain sera installé.

Fixez une extrémité du long tuyau noir ou blanc dans le bout du drain, en prenant soin au préalable d'appliquer la colle sur l'embout du drain et à l'intérieur de l'extrémité du tuyau. Et surtout, entourez d'un ou deux collets.

Coupez le tuyau de façon à ce qu'il se termine avec la fin de la poussière de roche ou de sable. On calcule le rayon de la piscine plus 15 cm (6") à partir du centre du drain.

Placez le drain de fond assemblé dans son trou de façon à ce qu'il soit environ 1,3 cm (1/2") plus haut que la terre de surface. Enterrez le tuyau en plaçant le drain de niveau le plus possible. Compactez avec les pieds et le pilon.

Mélangez trois pelletées de poussière de roche ou de sable avec une demi-pelletée de ciment pur et un peu d'eau et placez ce ciment autour du drain jusqu'à 1,3 cm (1/2") sous le dessus du drain.

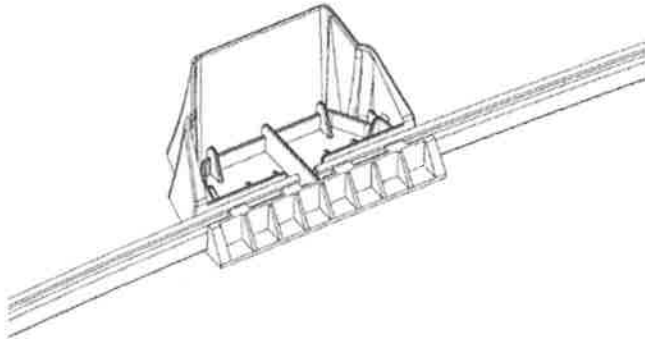


5

ASSEMBLAGE DES RAINURES INFÉRIEURES

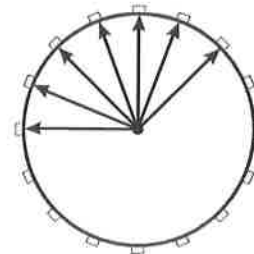
Insérez les rainures de chaque côté des plaques (voir Illustration 6.1).

Illustration 6.1



Assemblez toutes les rainures inférieures aux plaques à rainure de façon à former un cercle parfait avec un diamètre et un rayon conforme au tableau.

Illustration 6.2



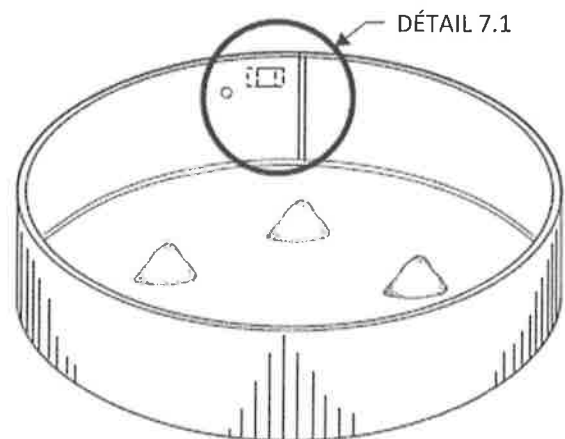
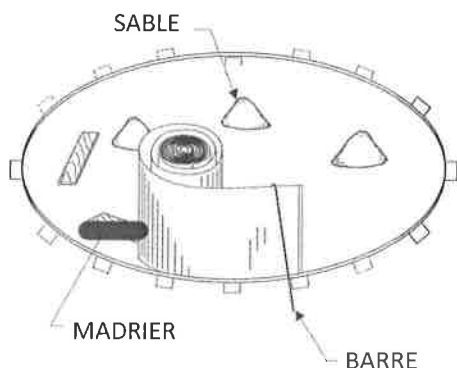
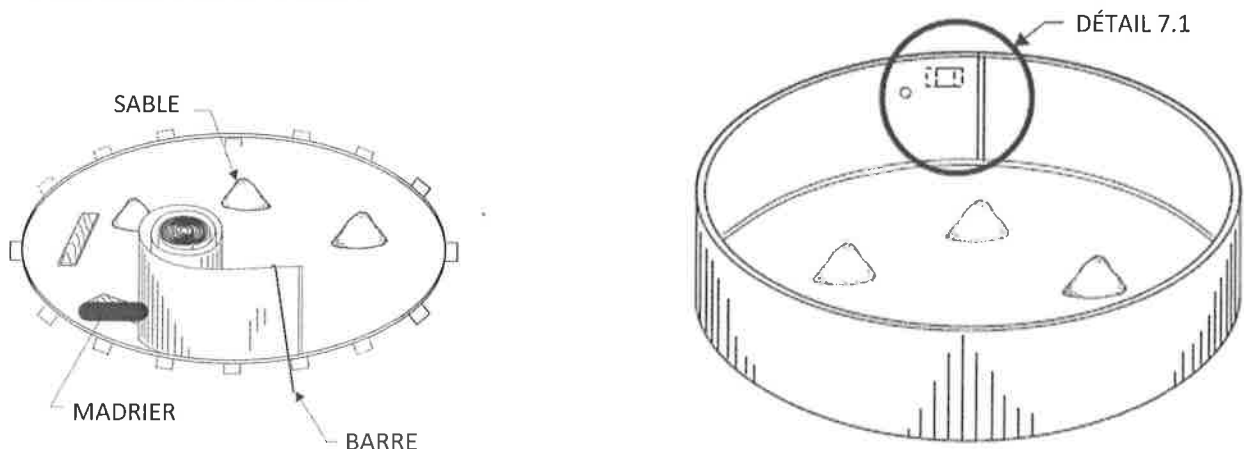
ATTENTION INSTALLATEUR: Le rayon de la piscine doit être mesuré au milieu de la cavité de la rainure, soit où le mur sera inséré, jusqu'au centre de la piscine. Avant de dérouler le mur, assurez-vous que l'espace entre les rainures soit égal tout le tour du périmètre. Un déploiement des rainures qui ne formerait pas un cercle parfait d'une dimension conforme au tableau compliquera la suite de l'installation et pourra causer des dommages irréparables à l'ensemble de la structure de la piscine lors du remplissage de l'eau.

C	DIAMÈTRE DE LA PISCINE	RAYON DE LA PISCINE	NOMBRE DE RAINURES	NOMBRE DE PLAQUES
10'	3.05m (10'-0")	1.52m (5'-0")	12	12
12'	3.68m (12'-1")	1.84m (6'-1/2")	10	10
15'	4.57m (15'-0")	2.29m (7'-6")	10	10
18'	5.44m (17'-10")	2.72m (8'-11")	12	12
21'	6.38m (20'-11")	3.19m (10'-5 1/2")	14	14
24'	7.29m (23'-11")	3.64m (11'-11 1/2")	16	16
27'	8.18m (26'-10")	4.09m (13'-5")	18	18
30'	9.09m (29'-10")	4.55m (14'-11")	20	20
33'	10.01m (32'-10")	5.0m (16'-5")	22	22

6

INSTALLATION DE LA PAROI

Lors de l'installation du mur d'acier, il est important de le faire à un endroit protégé du vent ou lors d'une journée sans vent. Avant de dérouler la paroi, assurez-vous que les orifices prévus pour l'écumoire et le retour d'eau se trouvent bien au haut de la paroi et face à l'endroit où se trouvera le filtreur.



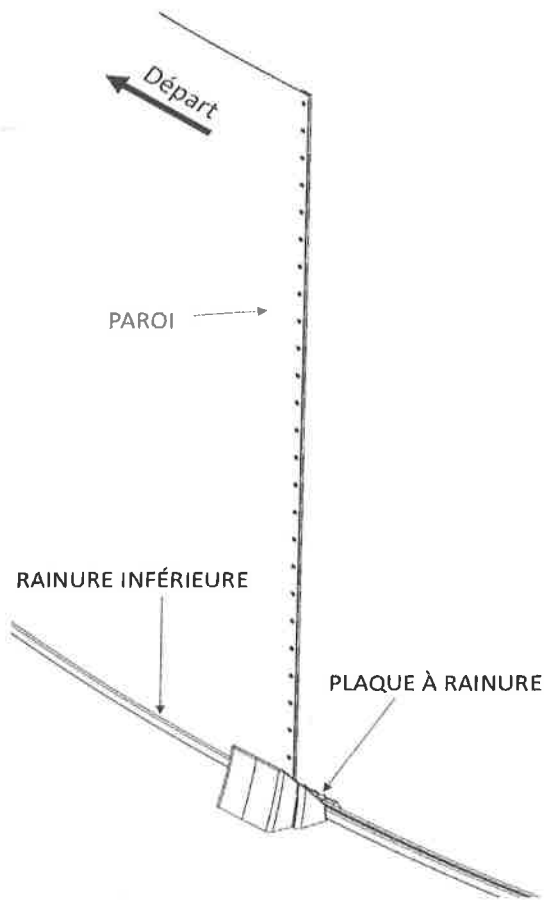
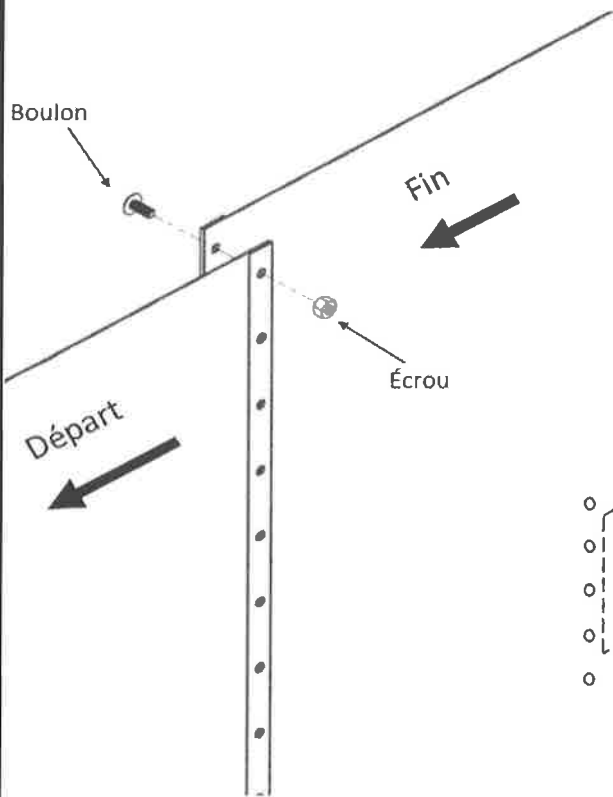


Illustration 7.1 Vue à partir de l'extérieur de la piscine.



Insérez la paroi dans la rainure inférieure en commençant au centre d'une plaque. Au départ, une ou deux barres de soutien maintiennent la paroi en place. Une personne déroule la paroi sur un madrier ou une planche, tandis qu'une autre personne l'insère dans la rainure inférieure. On ne doit pas dérouler plus de 3 m (10') sans mettre en place une barre de soutien pour renforcer la structure.

Une fois le déroulage terminé, il peut arriver que la paroi soit trop longue, ou que les deux extrémités ne se rejoignent pas de quelques centimètres. Vous devrez alors déplacer légèrement la paroi vers l'intérieur ou l'extérieur. Si cela ne suffit pas, il vous faudra rouler la paroi, réaligner les fentes des plaques à rainures inférieures et recommencer le déroulage. Si l'écart est trop grand, mesurez la longueur de la paroi et comparez-la au tableau ci-dessous.

Lorsque vous joindrez le mur d'acier, assurez-vous que le côté renforcé par le pli soit à l'intérieur du cercle, faisant face à la toile, et que l'autre soit à l'extérieur du mur (voir Illustration 7.1). Après avoir fixé le joint du mur, installez les rainures stabilisatrices sur la partie supérieure du mur.

Tableau

C	LONGUEUR RÉELLE DE LA PAROI
10'	9.55m (31'-4")
12'	11.59m (38'-0 5/16")
15'	14.38m (47'-2 1/4")
18'	17.08m (56'-0 1/4")
21'	20.03m (65'-8 9/16")
24'	22.88m (75'-0 7/8")
27'	25.69m (84'-3 9/16")
30'	28.61m (93'-10 1/4")
33'	2 x 15.72m (51'-6 7/8")

Afin de faire la mise à la terre de votre piscine, il est recommandé de fixer un terminal électrique 6 Gauge au deuxième boulon à parti du haut, sur le joint du mur. Un fil de mise à la terre de cuivre de 6 Gauge devra être utilisé. L'autre extrémité du fil doit être connectée à une tige de mise à la terre d'environ 36" (1m) insérée dans la terre à au moins 36" (1m) de la piscine. Toutefois, vérifiez avec les normes électriques local que la mise à la terre est bien effectuée et qu'elle est conforme à ces normes.

ATTENTION

Ne pas utiliser de pistolet à chocs (impact gun) pour visser le mur.

Serrage minimum de 60 livres pouce et maximum de 85 livres pouce.



7

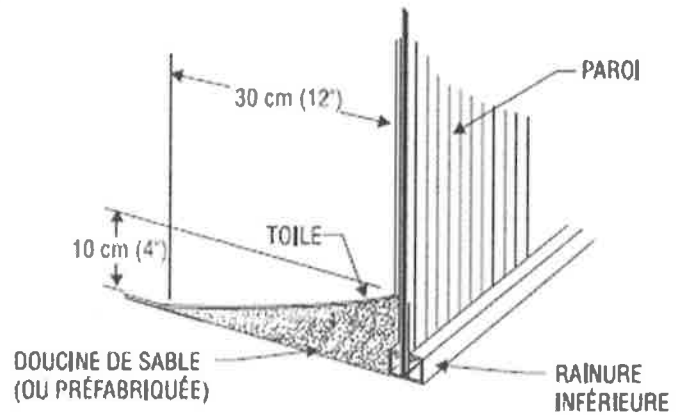
FINITION DU FOND

Avant de faire la doucine de la piscine, assurez-vous que le mur de la piscine ait un rayon conforme par rapport au centre de la piscine.

Étendez environ 10 cm (4") de sable à compactage au bas de la paroi intérieure de façon à former un remblai destiné à protéger la toile des extrémités coupantes des rainures inférieures et de la poussière de roche (si applicable) ou installez une doucine préfabriquée, si disponible.

FINITION DU FOND DE SABLE

Égalisez une dernière fois le sable de finition. Assurez-vous qu'il ne subsiste pas de roche coupante, de débris ou de racine en surface. Pour une meilleure protection, arrosez le sable et tassez-le de nouveau jusqu'à ce que le fond soit bien lisse.

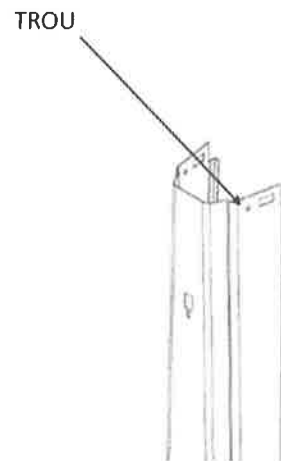
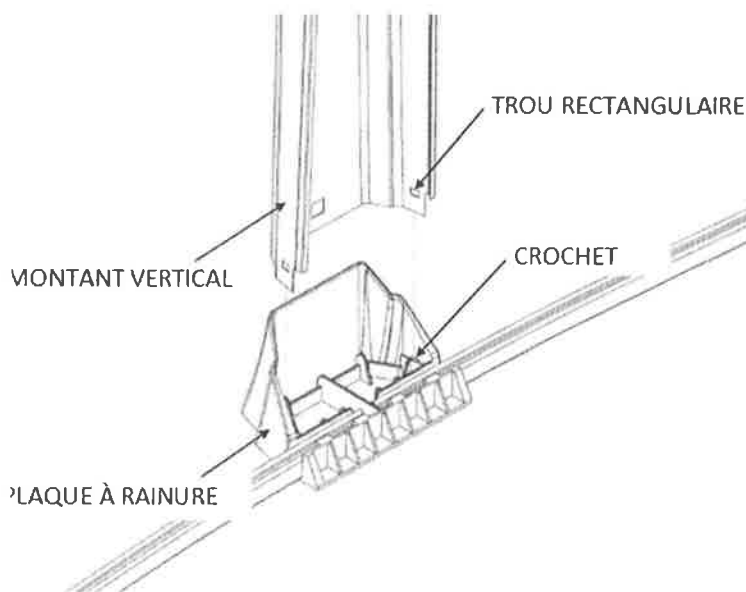


8

INSTALLATION DES MONTANTS VERTICAUX

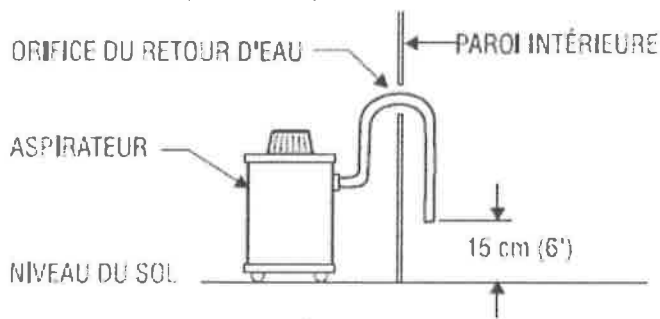
Fixez les montants verticaux aux plaques à rainures en insérant les crochets de la plaque dans les trous rectangulaires situés sur le bas du montant.

Il est à noter que les montants verticaux ont un sens. Le côté comportant 2 trous sur les faces latérales se retrouvera vers le haut.



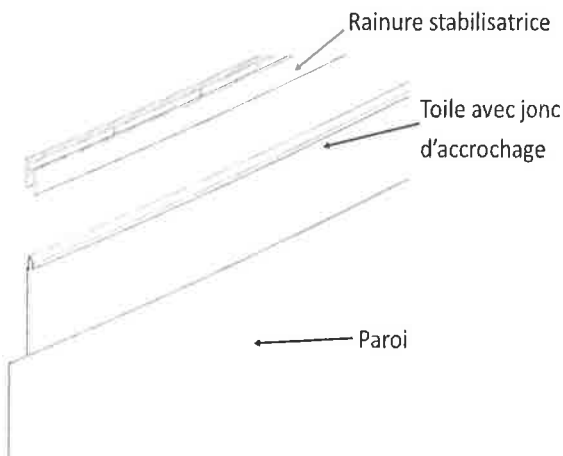
Avant de placer la toile contre la paroi, introduisez le boyau d'un aspirateur dans l'orifice du retour d'eau jusqu'à environ 15 cm (6") du sol.

Fixez le boyau en place à l'aide de ruban adhésif. Bouchez également l'orifice de l'écumoire avec du ruban adhésif. Cette opération a pour but d'éliminer les fuites d'air. Déposez la toile pliée au centre de la piscine perpendiculaire à l'orifice de l'écumoire. Prenez soin de porter des chaussures légères à semelles plates pour vous déplacer sur le fond de sable, car la moindre empreinte de talon pourrait être visible une fois la piscine remplie.

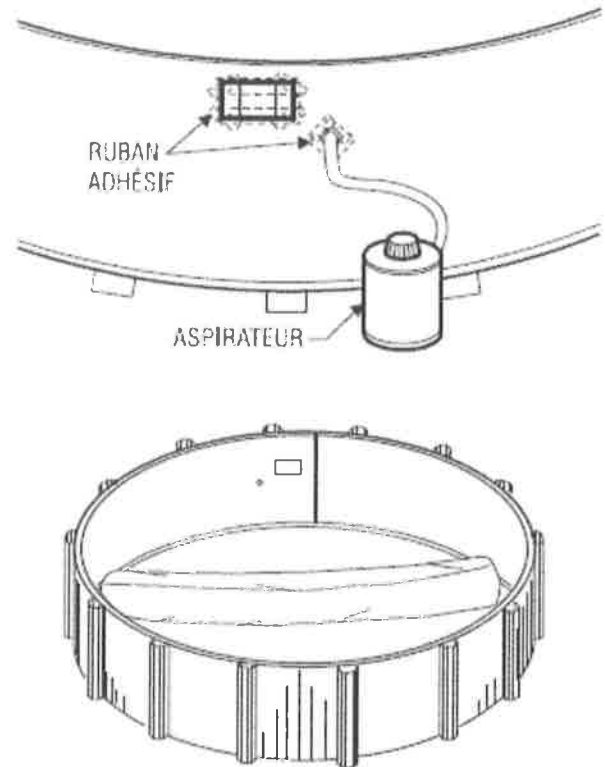


Dépliez délicatement la toile (u-bead ou overlap) et amenez la bordure de celle-ci à la base du mur. Assurez-vous que le côté rugueux ou avec motif soit sur le dessus.

U-bead

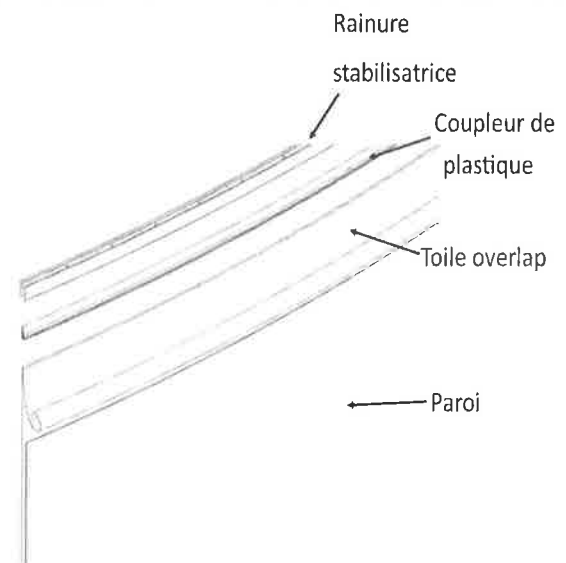


Accrochez la toile "u-bead" sur le sommet du mur et installez la rainure stabilisatrice par dessus la toile.

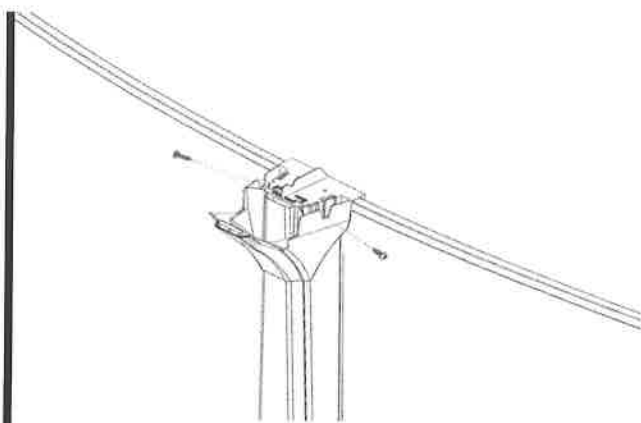


Overlap

Amenez la toile "overlap" par-dessus le sommet du mur en ajustant la tension de la toile pour y permettre un étirement de 1 à 2 pouces dans le mur. Maintenez ensuite la toile en place, à l'aide d'un coupleur de plastique, et barrez avec la rainure.



Vers la fin de cette étape, il peut arriver que la toile soit trop tendue et difficile à rabattre où qu'elle soit au contraire trop lâche. Vous devrez alors retirer certains coupleurs et ajuster de nouveau la toile afin de mieux répartir la tension.



Déposez la plaque du haut sur les montants verticaux. Posez les vis à métal au haut du montant vertical en vous assurant que les montants soient perpendiculaires à la surface du sol.

L'aspirateur est ensuite mis en marche pour que la toile adhère à la paroi. C'est à ce moment que vous verrez si elle est trop tendue dans le bas ou si elle est plissée à certains endroits. Ajustez la toile en retirant, au besoin, des coupleurs pour la soulever ou l'abaisser afin de lui faire prendre une forme parfaite.

Finalement, vous pouvez introduire l'eau et la laisser monter jusqu'au bas de la paroi avant d'arrêter l'aspirateur et de le retirer.

RETOUR D'EAU

Vous pouvez installer le retour d'eau une fois l'aspirateur retiré.

Placer l'anneau du retour d'eau contre la toile et ajustez-le pour qu'il soit parfaitement aligné avec le trou de la paroi.

Une fois l'anneau ajusté et tenu en place, coupez la toile au centre de l'anneau.

Insérez le retour d'eau de l'intérieur en plaçant le premier joint entre le retour d'eau et la toile et le deuxième entre la paroi et la toile. Ensuite, serrez l'anneau de l'extérieur avec de grosses pinces en faisant attention à ne pas plisser la toile.

DRAIN DE FOND (optionnel)

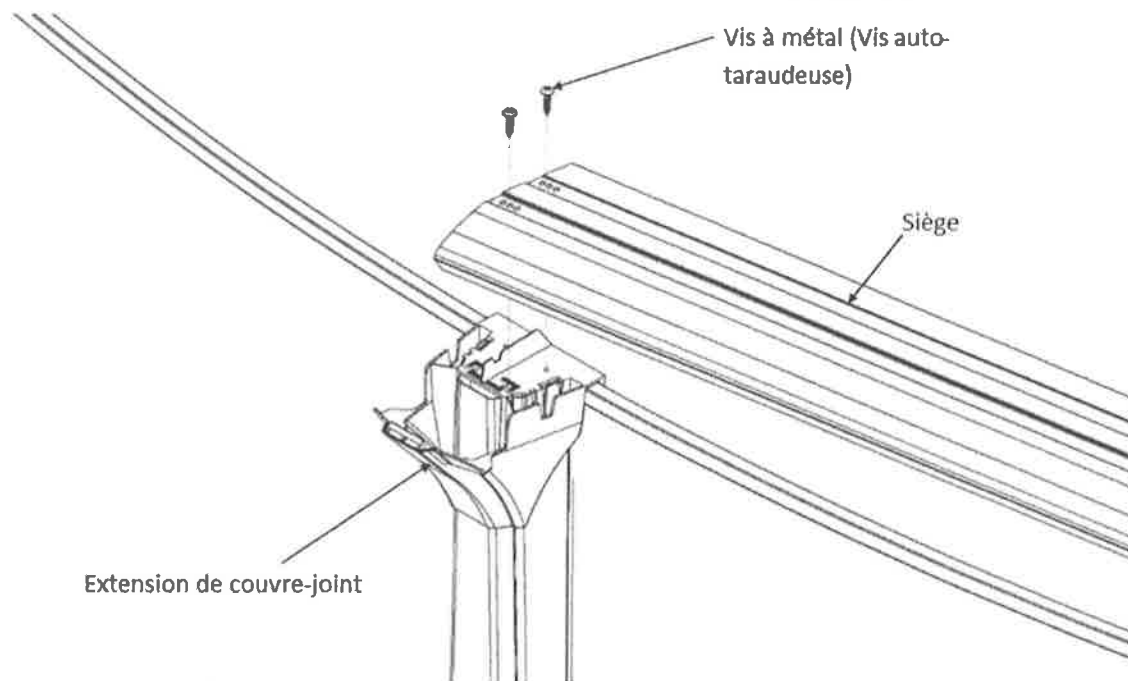
Palpez le milieu de la toile pour trouver les trous et vissez ensuite l'anneau et son joint contre la toile avant de découper la toile du centre de l'anneau, puis, visser le couvercle du drain.

10

INSTALLATION DES SIÈGES

Placez les sièges sur les extensions de couvre-joints et maintenez-les en place à l'aide de quatre (4) vis à métal. Fixez les extrémités de chaque siège à la surface des extensions de couvre-joints.

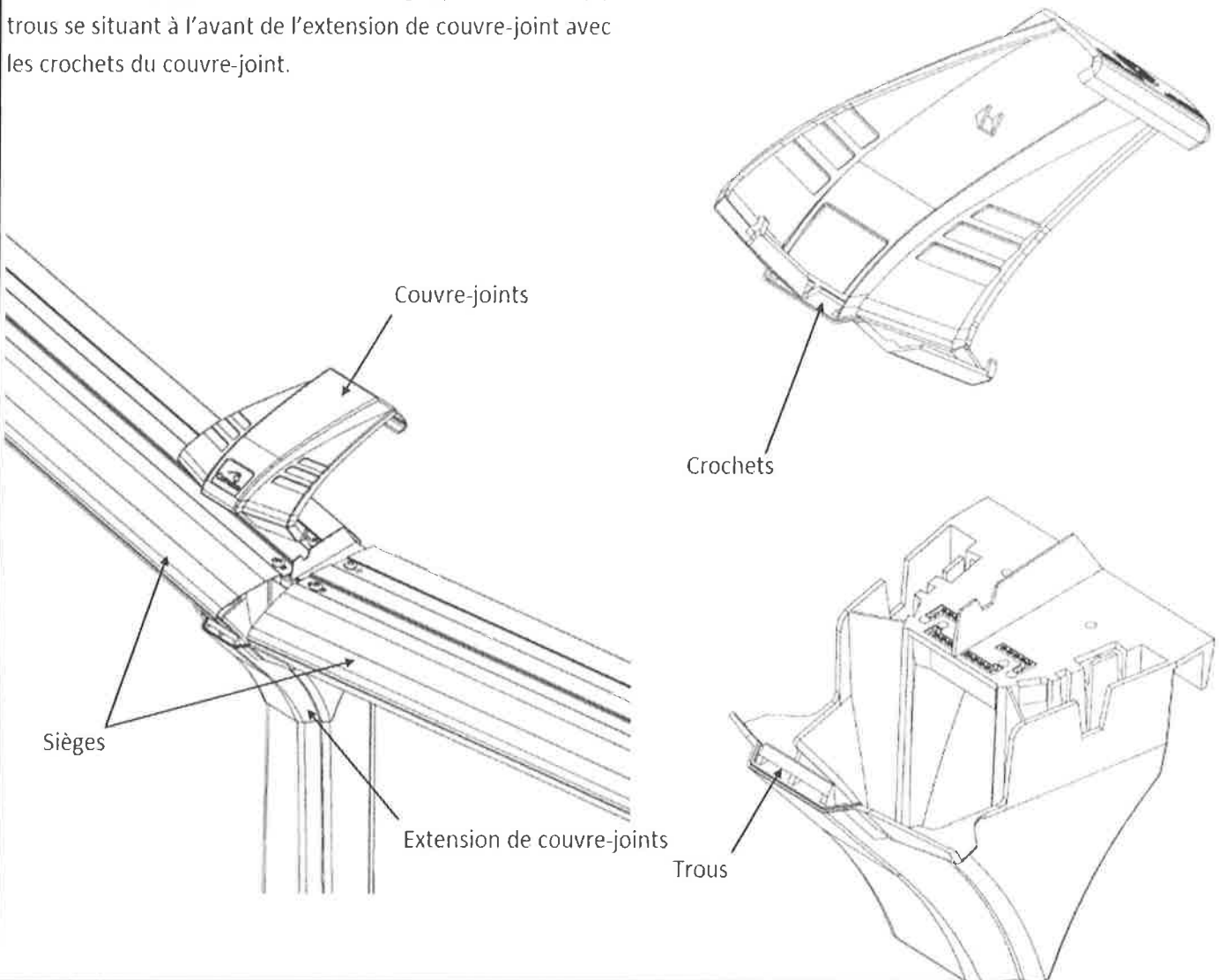
Centrer chaque siège sur les plaques à rainures en vous assurant qu'ils soient distribués de manière égale tout autour de la piscine.



11

INSTALLATION DES COUVRE-JOINTS DE SIÈGES

Accrochez le couvre-joint sur le rebord intérieur du siège. Fixez les deux (2) parties ensemble en agrippant les deux (2) trous se situant à l'avant de l'extension de couvre-joint avec les crochets du couvre-joint.



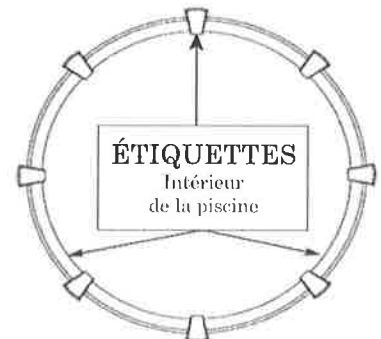
12

INSTALLATION DES ÉTIQUETTES DE SÉCURITÉ

Installer les quatre (4) étiquettes de sécurité (DANGER) fournies avec votre piscine comme suit: deux (2) étiquettes visibles à l'entrée de la piscine et deux (2) visibles à partir de l'accès principal de la cour arrière.



Installer un minimum de trois (3) étiquettes de sécurité (fournies avec la toile) à l'intérieur de la piscine de façon à ce qu'une étiquette soit visible peu importe d'où le baigneur entre dans l'eau. (Voir dessin pour le positionnement)



Important: si vous désirez des étiquettes supplémentaire, s'il-vous-plaît communiquez avec nous au Corneliuspools.com.

Note : Voir le manuel " Les Informations de sécurité" page 1.

Tel que décrit dans le manuel, toutes les composantes du système de filtration doivent être positionnées de façon à ne pas permettre à un enfant de grimper dessus et avoir accès à la piscine.

À l'aide d'un peu de poussière de roche, placez une dalle de patio de 61 cm x 76 cm (24" x 30") de niveau avant d'y installer le moteur et le filtreur.

Placez le moteur sur la dalle et insérez-y les deux embouts nécessaires pour recevoir les tuyaux.

Puis, installez la bonbonne du filtreur. Ajustez bien l'élément de filtration dans son canal. On doit parfois assembler les manchons de l'élément de filtration.

Bouchez le trou central de l'élément de filtration à l'aide du bouchon pour permettre le déversement du sable de filtrage dans la bonbonne.

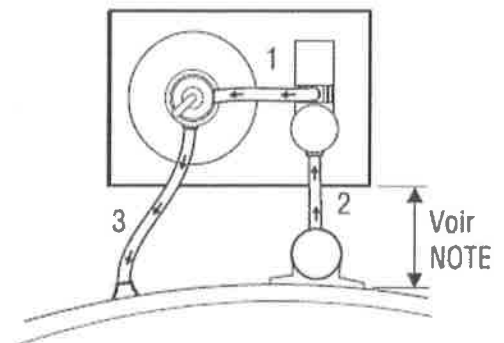
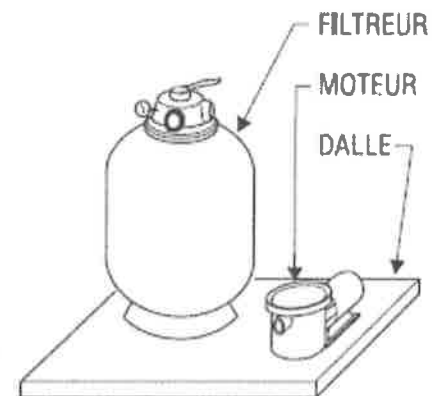
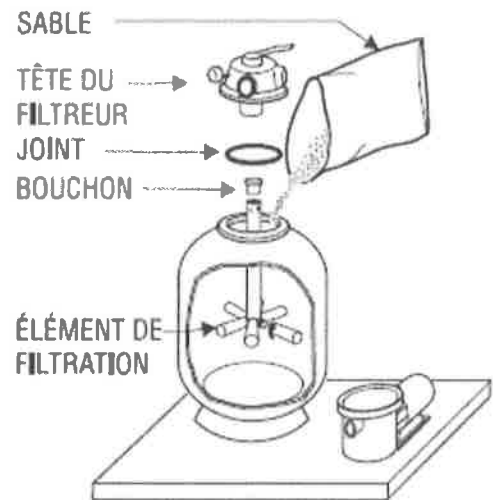
Retirez le bouchon. Installez le joint dans l'entaille et fixez la tête du filtreur en plaçant la position de refoulement (back wash) du côté opposé à la piscine.

Posez les embouts nécessaires. Puis, raccordez les tuyaux à l'aide de collets.

- 1- Le premier tuyau va du dessus de la pompe à côté de la tête du filtreur.
- 2- Le deuxième va du moteur à l'écumoire ou à la valve du drain de fond.
- 3- Le troisième va du devant de la tête du filtreur au retour d'eau ou du devant du chlorinateur au retour d'eau.

Un tuyau de refoulement peut être placé à l'arrière de la tête du filtreur (back wash).

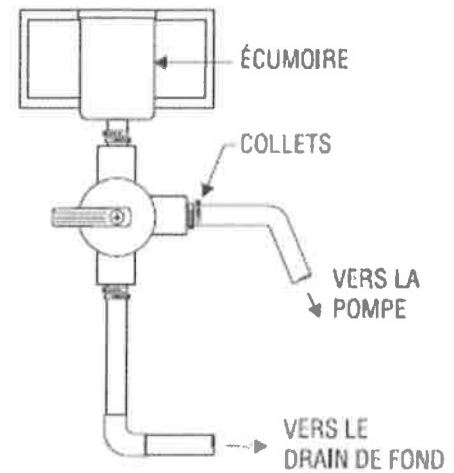
S'il y a un chlorinateur et/ou une thermopompe, on doit les assembler à la sortie du filtreur.



Insérez des embouts filetés, s'il y a lieu, de façon à pouvoir fixer la valve dans l'écumoire.

Raccordez le tuyau du drain à l'embout du bas. Raccordez le tuyau du moteur à l'embout de côté.

Tous les embouts filetés doivent être recouverts de ruban en téflon sur les filets avant d'être fixés, afin d'éviter les fuites d'eau. Le téflon sera apposé sur le filetage de la façon suivante : pas ou peu sur les premiers filets (cela facilite l'introduction) et beaucoup de couches vers la fin des filets (cela permet une meilleure étanchéité).



CAPRI/ZEPHYR 52"/54"

10'			
ARTICLE	DESCRIPTION	CODE	QUANTITÉ
A	Paroi de 9.55m (31' - 4")		1
B	Sac de boulons 1/4-20 (mur)	850231	1
C	Montant vertical 52"/54"	7720MK52R4/7720MK54R4	8
D	Couvre-joint	8773LXRB/8774LXRB	8
E	Extension de couvre-joint	8776LXR	8
F	Sabot	7FCCOMBOLXR	8
G	Siège	881010RML	8
H	Rainures du haut	R20036	8
I	Rainures du bas	R2031012	8
J	Sac de 50 vis #14 x 1"	8501RS50	1
J	Sac de 60 vis #14 x 1"	8501RS60	0

15'			
ARTICLE	DESCRIPTION	CODE	QUANTITÉ
A	Paroi de 14.38m (47-2 1/4")		1
B	Sac de boulons 1/4-20 (mur)	850231	1
C	Montant vertical 52"/54"	7720MK52R4/7720MK54R4	10
D	Couvre-joint	8773LXRB/8774LXRB	10
E	Extension de couvre-joint	8776LXR	10
F	Sabot	7FCCOMBOLXR	10
G	Siège	881014RML	10
H	Rainures du haut	R2001533	10
I	Rainures du bas	R2031518	10
J	Sac de 50 vis #14 x 1"	8501RS50	0
J	Sac de 60 vis #14 x 1"	8501RS60	1

12'			
ARTICLE	DESCRIPTION	CODE	QUANTITÉ
A	Paroi de 11.59m (38-0 1/4")		1
B	Sac de boulons 1/4-20 (mur)	850231	1
C	Montant vertical 52"/54"	7720MK52R4/7720MK54R4	10
D	Couvre-joint	8773LXRB/8774LXRB	10
E	Extension de couvre-joint	8776LXR	10
F	Sabot	7FCCOMBOLXR	10
G	Siège	881012RML	10
H	Rainures du haut	R20036	10
I	Rainures du bas	R2031012	10
J	Sac de 50 vis #14 x 1"	8501RS50	0
J	Sac de 60 vis #14 x 1"	8501RS60	1

CAPRI/ZEPHYR 52"/54"

18'

ARTICLE	DESCRIPTION	CODE	QUANTITÉ
A	Paroi de 17.08m (56'-0 1/4")		1
B	Sac de boulons 1/4-20 (mur)	850231	1
C	Montant vertical 52"/54"	7720MK52R4/7720MK54R4	12
D	Couvre-joint	8773LXRB/8774LXRB	12
E	Extension de couvre-joint	8776LXR	12
F	Sabot	7FCCOMBOLXR	12
G	Siège	881014RML	12
H	Rainures du haut	R2001533	12
I	Rainures du bas	R2031518	12
J	Sac de 50 vis #14 x 1"	8501RS50	2
J	Sac de 60 vis #14 x 1"	8501RS60	0

24'

ARTICLE	DESCRIPTION	CODE	QUANTITÉ
A	Paroi de 22.88m (75'-0 7/8")		1
B	Sac de boulons 1/4-20 (mur)	850231	1
C	Montant vertical 52"/54"	7720MK52R4/7720MK54R4	16
D	Couvre-joint	8773LXRB/8774LXRB	16
E	Extension de couvre-joint	8776LXR	16
F	Sabot	7FCCOMBOLXR	16
G	Siège	881014RML	16
H	Rainures du haut	R2001533	16
I	Rainures du bas	R2032133	16
J	Sac de 50 vis #14 x 1"	8501RS50	2
J	Sac de 60 vis #14 x 1"	8501RS60	0

21'

ARTICLE	DESCRIPTION	CODE	QUANTITÉ
A	Paroi de 20.03m (65'-8 9/16")		1
B	Sac de boulons 1/4-20 (mur)	850231	1
C	Montant vertical 52"/54"	7720MK52R4/7720MK54R4	14
D	Couvre-joint	8773LXRB/8774LXRB	14
E	Extension de couvre-joint	8776LXR	14
F	Sabot	7FCCOMBOLXR	14
G	Siège	881014RML	14
H	Rainures du haut	R2001533	14
I	Rainures du bas	R2032133	14
J	Sac de 50 vis #14 x 1"	8501RS50	2
J	Sac de 60 vis #14 x 1"	8501RS60	0

CAPRI/ZEPHYR 52"/54"

27'

ARTICLE	DESCRIPTION	CODE	QUANTITÉ
A	Paroi de 25,69 m (84'-3/9/16")		1
B	Sac de boulons 1/4-20 (mur)	850231	1
C	Montant vertical 52"/54"	7720MK52R4/7720MK54R4	18
D	Couvre-joint	8773LXRB/8774LXRB	18
E	Extension de couvre-joint	8776LXR	18
F	Sabot	7FCCOMBOLXR	18
G	Siège	881014RML	18
H	Rainures du haut	R2001533	18
I	Rainures du bas	R2032133	18
J	Sac de 50 vis #14 x 1"	8501RS50	1
J	Sac de 60 vis #14 x 1"	8501RS60	1

33'

ARTICLE	DESCRIPTION	CODE	QUANTITÉ
A	Paroi de 15,72 m (51'-6/7/8")		2
B	Sac de boulons 1/4-20 (mur)	850231	2
C	Montant vertical 52"/54"	7720MK52R4/7720MK54R4	22
D	Couvre-joint	8773LXRB/8774LXRB	22
E	Extension de couvre-joint	8776LXR	22
F	Sabot	7FCCOMBOLXR	22
G	Siège	881014RML	22
H	Rainures du haut	R2001533	22
I	Rainures du bas	R2032133	22
J	Sac de 50 vis #14 x 1"	8501RS50	3
J	Sac de 60 vis #14 x 1"	8501RS60	0

30'

ARTICLE	DESCRIPTION	CODE	QUANTITÉ
A	Paroi de 28,61 m (93'-10 1/4")		1
B	Sac de boulons 1/4-20 (mur)	850231	1
C	Montant vertical 52"/54"	7720MK52R4/7720MK54R4	20
D	Couvre-joint	8773LXRB/8774LXRB	20
E	Extension de couvre-joint	8776LXR	20
F	Sabot	7FCCOMBOLXR	20
G	Siège	881014RML	20
H	Rainures du haut	R2001533	20
I	Rainures du bas	R2032133	20
J	Sac de 50 vis #14 x 1"	8501RS50	0
J	Sac de 60 vis #14 x 1"	8501RS60	2

BORA/BRISA 52"/54"

10'

ARTICLE	DESCRIPTION	CODE	QUANTITÉ
A	Pariol de 9.55m (31' - 4")		1
B	Sac de boulons 1/4-20 (mur)	850231	1
C	Montant vertical 52"/54"	7720MK52R4/7720MK54R4	8
D	Couvre-joint	8773LXRB	8
E	Extension de couvre-joint	8776LXR	8
F	Sabot	7FCCOMBOLXR	8
G	Siège	871010RML	8
H&I	Rainures du haut & du bas	610100	16
J	Sac de 50 vis #14 x 1"	8501RS50	1
J	Sac de 60 vis #14 x 1"	8501RS60	0
K	Support de siège 4" PVC	60545	16

15'

ARTICLE	DESCRIPTION	CODE	QUANTITÉ
A	Pariol de 14.38m (47-2 1/4")		1
B	Sac de boulons 1/4-20 (mur)	850231	1
C	Montant vertical 52"/54"	7720MK52R4/7720MK54R4	10
D	Couvre-joint	8773LXRB	10
E	Extension de couvre-joint	8776LXR	10
F	Sabot	7FCCOMBOLXR	10
G	Siège	871014RML	10
H&I	Rainures du haut & du bas	610121	20
J	Sac de 50 vis #14 x 1"	8501RS50	0
J	Sac de 60 vis #14 x 1"	8501RS60	1
K	Support de siège 4" PVC	60545	20

12'

ARTICLE	DESCRIPTION	CODE	QUANTITÉ
A	Pariol de 11.59m (38-0 1/4")		1
B	Sac de boulons 1/4-20 (mur)	850231	1
C	Montant vertical 52"/54"	7720MK52R4/7720MK54R4	10
D	Couvre-joint	8773LXRB	10
E	Extension de couvre-joint	8776LXR	10
F	Sabot	7FCCOMBOLXR	10
G	Siège	871012RML	10
H&I	Rainures du haut & du bas	610138	20
J	Sac de 50 vis #14 x 1"	8501RS50	0
J	Sac de 60 vis #14 x 1"	8501RS60	1
K	Support de siège 4" PVC	60545	20

BORA/BRISA 52"/54"

18'

ARTICLE	DESCRIPTION	CODE	QUANTITÉ
A	Paroi de 17.08m (56'-0 1/4")		1
B	Sac de boulons 1/4-20 (mur)	850231	1
C	Montant vertical 52"/54"	7720MK52R4/7720MK54R4	12
D	Couvre-joint	8773LXRB	12
E	Extension de couvre-joint	8776LXR	12
F	Sabot	7FCCOMBOLXR	12
G	Siège	871014RML	12
H&I	Rainures du haut & du bas	610122	24
J	Sac de 50 vis #14 x 1"	8501RS50	2
J	Sac de 60 vis #14 x 1"	8501RS60	0
K	Support de siège 4" PVC	60545	24

24'

ARTICLE	DESCRIPTION	CODE	QUANTITÉ
A	Paroi de 22.88m (75'-0 7/8")		1
B	Sac de boulons 1/4-20 (mur)	850231	1
C	Montant vertical 52"/54"	7720MK52R4/7720MK54R4	16
D	Couvre-joint	8773LXRB	16
E	Extension de couvre-joint	8776LXR	16
F	Sabot	7FCCOMBOLXR	16
G	Siège	871014RML	16
H&I	Rainures du haut & du bas	610124	32
J	Sac de 50 vis #14 x 1"	8501RS50	2
J	Sac de 60 vis #14 x 1"	8501RS60	0
K	Support de siège 4" PVC	60545	32

21'

ARTICLE	DESCRIPTION	CODE	QUANTITÉ
A	Paroi de 20.03m (65'-8 9/16")		1
B	Sac de boulons 1/4-20 (mur)	850231	1
C	Montant vertical 52"/54"	7720MK52R4/7720MK54R4	14
D	Couvre-joint	8773LXRB	14
E	Extension de couvre-joint	8776LXR	14
F	Sabot	7FCCOMBOLXR	14
G	Siège	871014RML	14
H&I	Rainures du haut & du bas	610123	28
J	Sac de 50 vis #14 x 1"	8501RS50	2
J	Sac de 60 vis #14 x 1"	8501RS60	0
K	Support de siège 4" PVC	60545	28

BORA/BRISA 52"/54"

27'

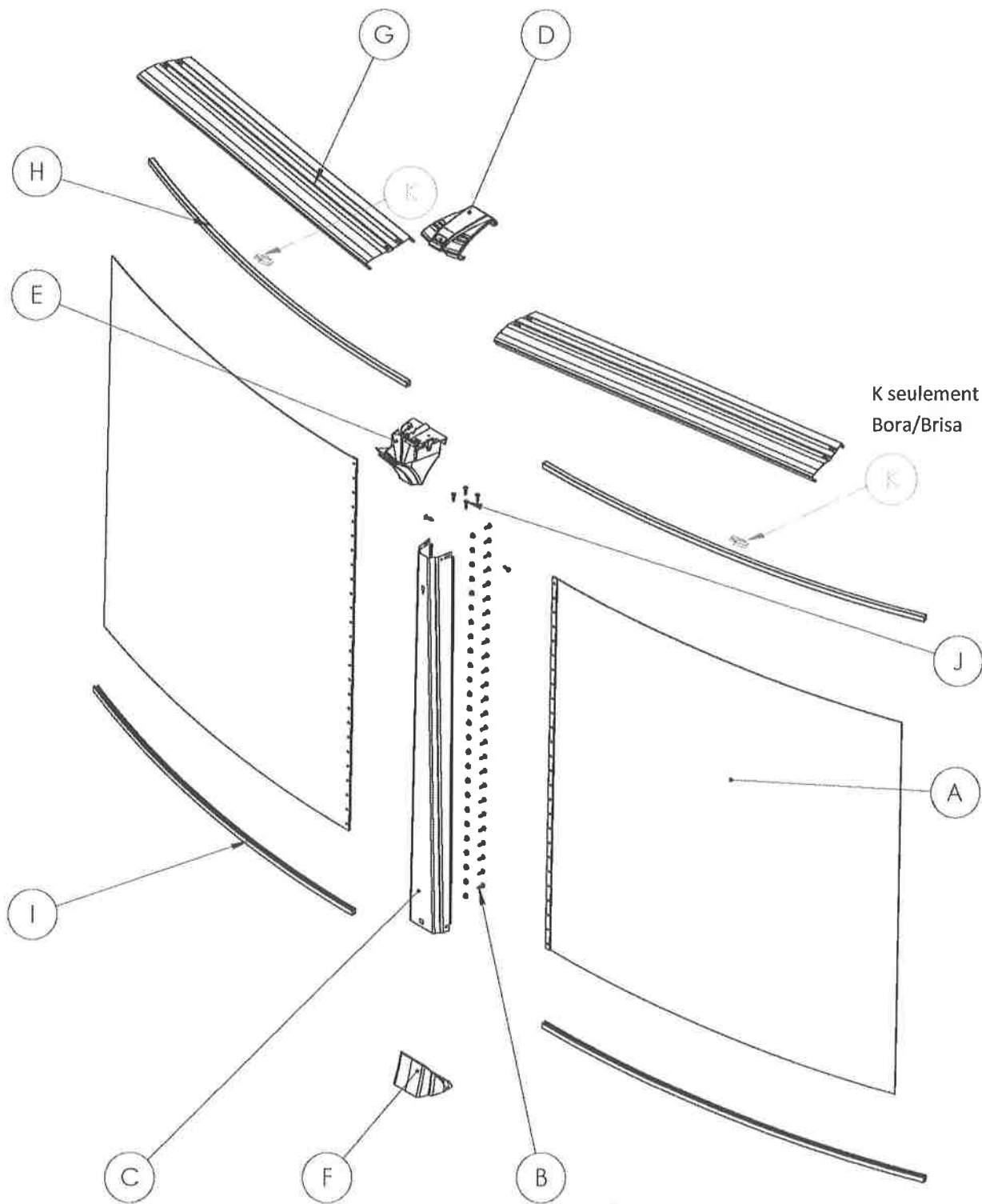
ARTICLE	DESCRIPTION	CODE	QUANTITÉ
A	Paroi de 25,69 m (84'-3 9/16")		1
B	Sac de boulons 1/4-20 (mur)	850231	1
C	Montant vertical 52"/54"	7720MK52R4/7720MK54R4	18
D	Couvre-joint	8773LXRB	18
E	Extension de couvre-joint	8776LXR	18
F	Sabot	7FCCOMBOLXR	18
G	Siège	871014RML	18
H&I	Rainures du haut & du bas	610125	36
J	Sac de 50 vis #14 x 1"	8501RS50	1
J	Sac de 60 vis #14 x 1"	8501RS60	1
K	Support de siège 4" PVC	60545	36

33'

ARTICLE	DESCRIPTION	CODE	QUANTITÉ
A	Paroi de 15,72 m (51'-6 7/8")		2
B	Sac de boulons 1/4-20 (mur)	850231	2
C	Montant vertical 52"/54"	7720MK52R4/7720MK54R4	22
D	Couvre-joint	8773LXRB	22
E	Extension de couvre-joint	8776LXR	22
F	Sabot	7FCCOMBOLXR	22
G	Siège	871014RML	22
H&I	Rainures du haut & du bas	610125	44
J	Sac de 50 vis #14 x 1"	8501RS50	3
J	Sac de 60 vis #14 x 1"	8501RS60	0
K	Support de siège 4" PVC	60545	44

30'

ARTICLE	DESCRIPTION	CODE	QUANTITÉ
A	Paroi de 28,61 m (93'-10 1/4")		1
B	Sac de boulons 1/4-20 (mur)	850231	1
C	Montant vertical 52"/54"	7720MK52R4/7720MK54R4	20
D	Couvre-joint	8773LXRB	20
E	Extension de couvre-joint	8776LXR	20
F	Sabot	7FCCOMBOLXR	20
G	Siège	871014RML	20
H&I	Rainures du haut & du bas	610125	40
J	Sac de 50 vis #14 x 1"	8501RS50	0
J	Sac de 60 vis #14 x 1"	8501RS60	2
K	Support de siège 4" PVC	60545	40



K seulement pour la
Bora/Brisa