

HAYWARD®

POOL AND SPA/HOT TUB HEATERS
H150FD, H200FD, H250FD, H300FD,
H350FD & H400FD MODELS

SERVICE & INSTALLATION MANUAL

FOR YOUR SAFETY

⚠ WARNING: If the information in these instructions is not followed exactly, a fire or explosion may result causing property damage, injury, or death.

- Do not store or use gasoline or other flammable vapors or liquids in the vicinity of this or any other appliance.

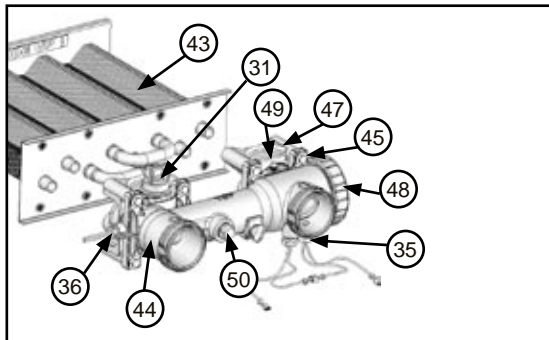
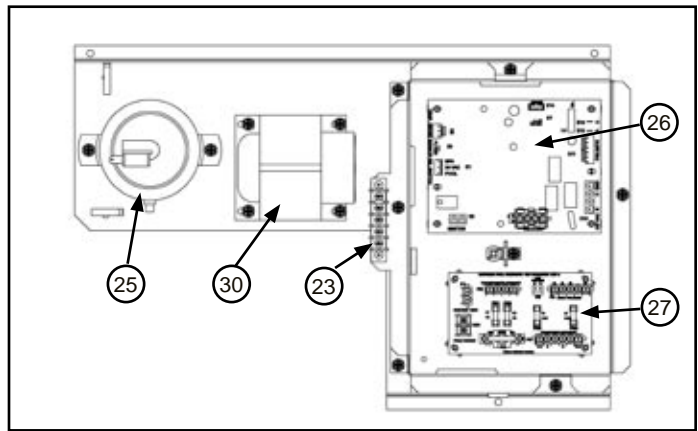
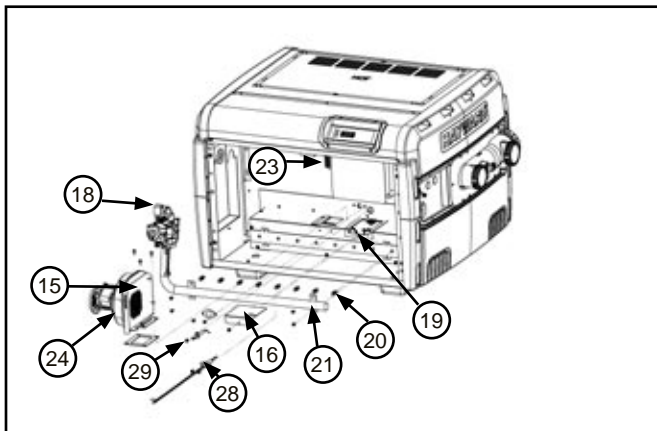
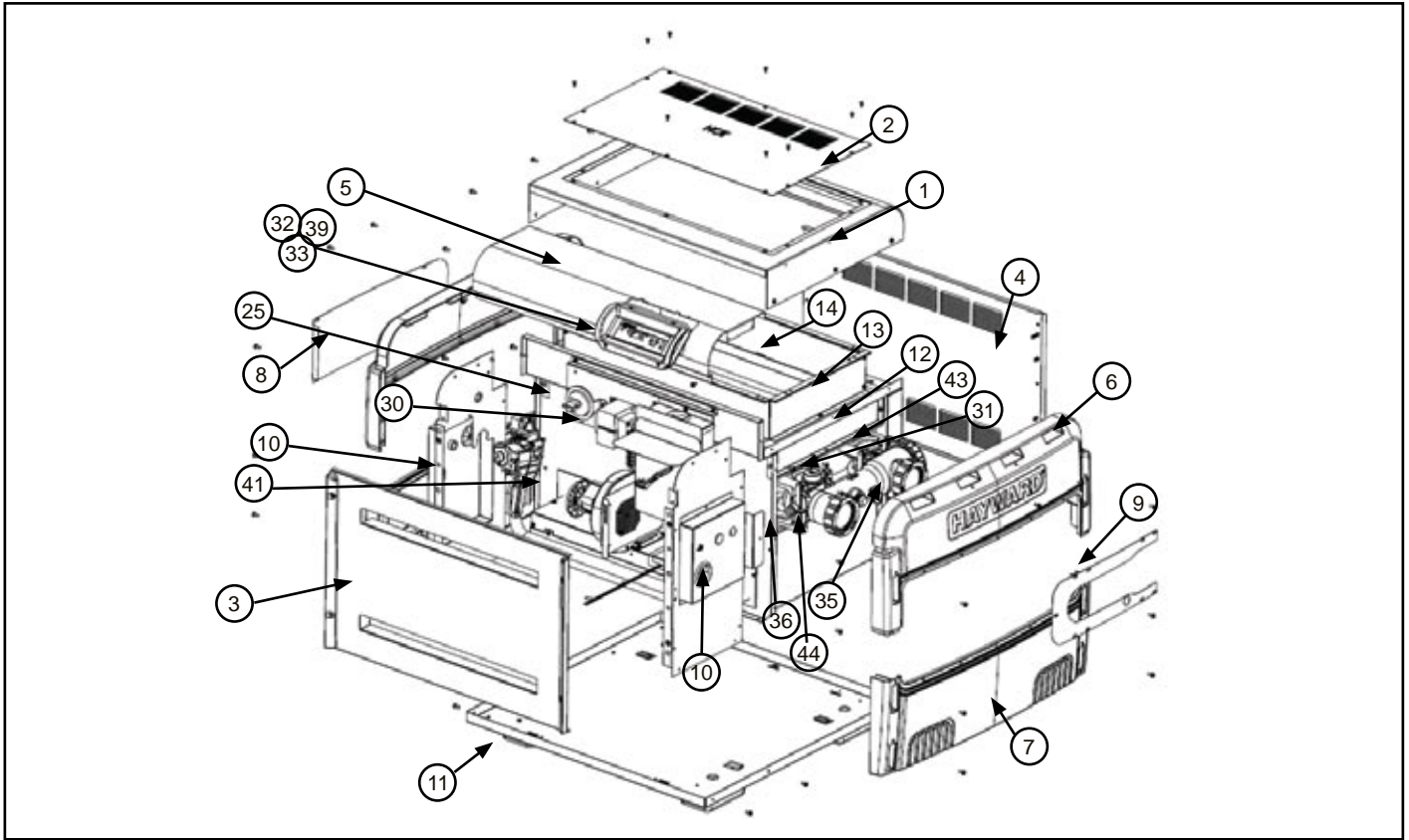
WHAT TO DO IF YOU SMELL GAS:

- Do not try to light any appliance.
- Do not touch any electrical switch; do not use any phone in your building.
- Immediately call your gas supplier from a neighbor's phone. Follow the gas supplier's instructions.
- If you cannot reach your gas supplier, call the fire department.
- Installation and service must be performed by a qualified installer, service agency, or the gas supplier.



FOR YOUR SAFETY

This product must be installed and serviced by authorized personnel, qualified in pool/spa heater installation. Improper installation and/or operation can create carbon monoxide gas and flue gases that can cause serious injury, property damage, or death.



ITEM	PART NO.	DESCRIPTION
1	FDXLJKT1150	JACKET TOP & FLUE COVER H150FD
	FDXLJKT1200	JACKET TOP & FLUE COVER H200FD
	FDXLJKT1250	JACKET TOP & FLUE COVER H250FD
	FDXLJKT1300	JACKET TOP & FLUE COVER H300FD
	FDXLJKT1350	JACKET TOP & FLUE COVER H350FD
	FDXLJKT1400	JACKET TOP & FLUE COVER H400FD
	2	FDXLTFC1150
FDXLTFC1200		TOP/FLUE COVER - H200FD
FDXLTFC1250		TOP/FLUE COVER - H250FD
FDXLTFC1300		TOP/FLUE COVER - H300FD
FDXLTFC1350		TOP/FLUE COVER - H350FD
FDXLTFC1400		TOP/FLUE COVER - H400FD
3		FDXLFAD1150
	FDXLFAD1200	FRONT ACCESS DOOR ASM - H200FD
	FDXLFAD1250	FRONT ACCESS DOOR ASM - H250FD
	FDXLFAD1300	FRONT ACCESS DOOR ASM - H300FD
	FDXLFAD1350	FRONT ACCESS DOOR ASM - H350FD
	FDXLFAD1400	FRONT ACCESS DOOR ASM - H400FD
	4	FDXLRAD1150
FDXLRAD1200		REAR ACCESS DOOR ASM - H200FD
FDXLRAD1250		REAR ACCESS DOOR ASM - H250FD
FDXLRAD1300		REAR ACCESS DOOR ASM - H300FD
FDXLRAD1350		REAR ACCESS DOOR ASM - H350FD
FDXLRAD1400		REAR ACCESS DOOR ASM - H400FD
5		FDXLTFP1150
	FDXLTFP1200	TOP & FRONT PANEL - H200FD
	FDXLTFP1250	TOP & FRONT PANEL - H250FD
	FDXLTFP1300	TOP & FRONT PANEL - H300FD
	FDXLTFP1350	TOP & FRONT PANEL - H350FD
	FDXLTFP1400	TOP & FRONT PANEL - H400FD
	6	FDXLUEC1930
7	FDXLLEC1930	LOWER END CAP - FD
8	FDXLLTP1930	LEFT TRIM PANEL - FD
9	FDXLRTP1930	RIGHT TRIM PANEL - FD
10	FDXLLJB1930	LEFT JUNCTION BOX - FD
	FDXLRJB1930	RIGHT JUNCTION BOX - FD
11	FDXLPBL1930	BASE LEG - FD
12	FDXLFCS1930	FLUE COLLECTOR SIDE PANEL
13	FDXLRGK1150	RAIN GUARD ASM - H150FD
	FDXLRGK1200	RAIN GUARD ASM - H200FD

USE ONLY HAYWARD GENUINE REPLACEMENT PARTS

ITEM	PART NO.	DESCRIPTION
	FDXLRGK1250	RAIN GUARD ASM - H250FD
	FDXLRGK1300	RAIN GUARD ASM - H300FD
	FDXLRGK1350	RAIN GUARD ASM - H350FD
	FDXLRGK1400	RAIN GUARD ASM - H400FD
14	FDXLHBP1150	HEAT BARRIER PANEL - H150FD
	FDXLHBP1200	HEAT BARRIER PANEL - H200FD
	FDXLHBP1250	HEAT BARRIER PANEL - H250FD
	FDXLHBP1300	HEAT BARRIER PANEL - H300FD
	FDXLHBP1350	HEAT BARRIER PANEL - H350FD
	FDXLHBP1400	HEAT BARRIER PANEL - H400FD
15	FDXLBBN1150	BLOWER INLET BAFFLE - H150FD
	FDXLBBN1200	BLOWER INLET BAFFLE - H200FD
	FDXLBBN1250	BLOWER INLET BAFFLE - H250FD
	FDXLBBN1300	BLOWER INLET BAFFLE - H300FD
	FDXLBBN1350	BLOWER INLET BAFFLE - H350FD
	FDXLBBN1400	BLOWER INLET BAFFLE - H400FD
16	FDXLIAC1930	IGNITER ACCESS COVER
18	FDXLGSV0001	GAS VALVE NATURAL - FD
	FDXLGSV0002	GAS VALVE PROPANE - FD
19	FDXLBRN1930	BURNER (NOT SHOWN)
20	FDXLBON1930	BURNER ORIFICE NATURAL FD
	FDXLBOP1930	BURNER ORIFICE PROPANE FD
21	FDXLMAN1150	GAS MANIFOLD - H150FD
	FDXLMAN1200	GAS MANIFOLD - H200FD
	FDXLMAN1250	GAS MANIFOLD - H250FD
	FDXLMAN1300	GAS MANIFOLD - H300FD
	FDXLMAN1350	GAS MANIFOLD - H350FD
	FDXLMAN1400	GAS MANIFOLD - H400FD
22	FDXWHA1930	WIRING HARNESS COMPLETE - FD (NOT SHOWN)
23	IDXLTMB1931	TERMINAL BLOCK - 5 POLE
24	FDXLBWR1930	COMBUSTION BLOWER FD
25	FDXLBVS1930	BLOWER VACUUM SWITCH
26	FDXLICB1930	INTEGRATED CONTROL BOARD - FD
27	FDXLFWP1930	FIELD WIRING PANEL- FD
28	FDXLIGN1930	IGNITER - FD
29	IDXLFLS1930	FLAME SENSOR
30	IDXL2TRF1930	TRANSFORMER
31	FDXLWPS1930	WATER PRESSURE SWITCH
32	IDXL2DB1930	DISPLAY BOARD ONLY - FD & IDL2
33	FDXLBKP1930	BEZEL & KEYPAD ASSEMBLY

USE ONLY HAYWARD GENUINE REPLACEMENT PARTS

ITEM	PART NO.	DESCRIPTION
	FDXLBKP1931	BEZEL & KEYPAD ASSEMBLY - CAL
34	FDXLFSK1930	FUSE SERVICE KIT - FD (NOT SHOWN)
35	FDXLHLI1930	HIGH LIMIT 135 F
36	FDXLTER1930	THERMISTOR
37	FDXLGSK1930	GASKET KIT - AIR SIDE FD ALL (NOT SHOWN)
	includes:	GASKET, BLOWER MOUNTING
		GASKET, IGNITER COVER
		GASKET, COVER/AIR BOX FRNT - H400FD
		GASKET, COVER/AIR BOX FRNT - H350FD
		GASKET, COVER/AIR BOX FRNT - H300FD
		GASKET, COVER/AIR BOX FRNT - H250FD
		GASKET, COVER/AIR BOX FRNT - H200FD
		GASKET, COVER/AIR BOX FRNT - H150FD
		GASKET, MANIFOLD/AIR BOX - H400FD
		GASKET, MANIFOLD/AIR BOX - H350FD
		GASKET, MANIFOLD/AIR BOX - H300FD
		GASKET, MANIFOLD/AIR BOX - H250FD
		GASKET, MANIFOLD/AIR BOX - H200FD
		GASKET, MANIFOLD/AIR BOX - H150FD
38	FDXLGSK1931	GASKET KIT - EXHAUST SIDE FD ALL (NOT SHOWN)
	includes:	GASKET, FLUE COLLECTOR SIDE
		GASKET, RAIN GUARD SIDE
		GASKET, RAIN GUARD BOTTOM SIDE
		GASKET, FLUE COLLECTOR TOP - H400FD
		GASKET, FLUE COLLECTOR TOP - H350FD
		GASKET, FLUE COLLECTOR TOP - H300FD
		GASKET, FLUE COLLECTOR TOP - H250FD
		GASKET, FLUE COLLECTOR TOP - H200FD
		GASKET, FLUE COLLECTOR TOP - H150FD
		GASKET, RAIN GUARD FRNT & REAR - H400FD
		GASKET, RAIN GUARD FRNT & REAR - H350FD
		GASKET, RAIN GUARD FRNT & REAR - H300FD
		GASKET, RAIN GUARD FRNT & REAR - H250FD
		GASKET, RAIN GUARD FRNT & REAR - H200FD
		GASKET, RAIN GUARD FRNT & REAR - H150FD
		GASKET, RAIN GUARD BOTTOM FRNT & REAR - H400FD
		GASKET, RAIN GUARD BOTTOM FRNT & REAR - H350FD
		GASKET, RAIN GUARD BOTTOM FRNT & REAR - H300FD
		GASKET, RAIN GUARD BOTTOM FRNT & REAR - H250FD

USE ONLY HAYWARD GENUINE REPLACEMENT PARTS

ITEM	PART NO.	DESCRIPTION
		GASKET, RAIN GUARD BOTTOM FRNT & REAR - H200FD
		GASKET, RAIN GUARD BOTTOM FRNT & REAR - H150FD
39	FDXLGSK1932	GASKET, BEZEL/TOP FD
40	FDXLGSK1933	INSULATION, RETURN SIDE T-SHT FD
41	FDXLGSK1934	GASKET, CC FRONT/AIR BOX FD ALL
42	FDXLTDK1930	TIE-DOWN KIT - FD (NOT SHOWN)
43	FDXLHXA1150	HEAT EXCHANGER ASM - H150FD
	FDXLHXA1200	HEAT EXCHANGER ASM - H200FD
	FDXLHXA1250	HEAT EXCHANGER ASM - H250FD
	FDXLHXA1300	HEAT EXCHANGER ASM - H300FD
	FDXLHXA1350	HEAT EXCHANGER ASM - H350FD
	FDXLHXA1400	HEAT EXCHANGER ASM - H400FD
44	FDXLFHA1930	HEADER ASSEMBLY
45	FDXLHDW1930	HEADER HARDWARE KIT
46	FDXLFOR1930	HEADER O-RING KIT (NOT SHOWN)
47	FDXLHMB1930	HEADER MOUNTING BASE KIT
48	FDXLBPK1930	BYPASS CARTRIDGE KIT
49	FDXLPLG1930	1/8" NPT BRASS PLUG
50	CHXPLG1930	3/4" DRAIN PLUG
51	UHXNEGVT1400	VENT ADAPTER KIT, H400FD, NEGATIVE-PRESSURE (VERTICAL)
	UHXNEGVT1350	VENT ADAPTER KIT, H350FD, NEGATIVE-PRESSURE (VERTICAL)
	UHXNEGVT1300	VENT ADAPTER KIT, H300FD, NEGATIVE-PRESSURE (VERTICAL)
	UHXNEGVT1250	VENT ADAPTER KIT, H250FD, NEGATIVE-PRESSURE (VERTICAL)
	UHXNEGVT1200	VENT ADAPTER KIT, H200FD, NEGATIVE-PRESSURE (VERTICAL)
	UHXNEGVT1150	VENT ADAPTER KIT, H150FD, NEGATIVE-PRESSURE (VERTICAL)
	UHXPOSHZ1400	VENT ADAPTER KIT, H400FD, POSITIVE-PRESSURE (HORIZONTAL)
	UHXPOSHZ1350	VENT ADAPTER KIT, H350FD, POSITIVE-PRESSURE (HORIZONTAL)
	UHXPOSHZ1300	VENT ADAPTER KIT, H300FD, POSITIVE-PRESSURE (HORIZONTAL)
	UHXPOSHZ1250	VENT ADAPTER KIT, H250FD, POSITIVE-PRESSURE (HORIZONTAL)
	UHXPOSHZ1200	VENT ADAPTER KIT, H200FD, POSITIVE-PRESSURE (HORIZONTAL)
	UHXPOSHZ1150	VENT ADAPTER KIT, H150FD, POSITIVE-PRESSURE (HORIZONTAL)
52	FDXLFHD1930	HEADER ONLY
53	FDXLCRN1930	HEADER CARTRIDGE RETAINING NUT
54	SPX4000FG	DRAIN PLUG WITH GASKET
55	SPX3200UNKIT	UNION NUTS, CONNECTORS, AND GASKETS
56	FDXLHAK1930	CONVERSION KIT, H250/350/400FD, HIGH ALTITUDE, 2000 FT-10200 FT

USE ONLY HAYWARD GENUINE REPLACEMENT PARTS



HAYWARD[®] Pool Products

A Hayward Industries, Inc. Company

Hayward Pool Products, Inc.
620 Division St.
Elizabeth, NJ 07207

Hayward Pool Products, Inc.
2875 Pomona Boulevard
Pomona, CA 91768

Hayward Pool Products, Inc.
2880 Plymouth Drive
Oakville, Ontario L6H 5R4

Hayward S.A.
Zoming de Jumet
B6040 Jumet, Belgium