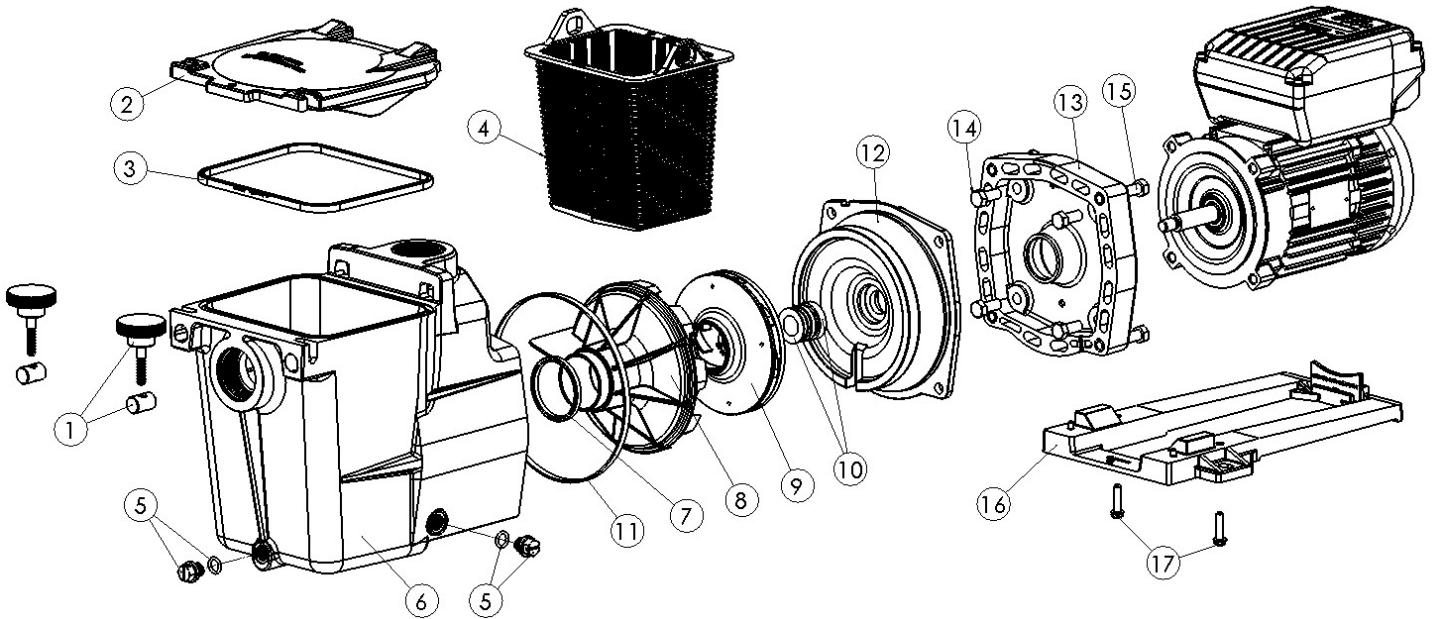


Replacement Parts

Parts Diagram



Ref. No.	Part No.	Description	Qty.
1	SPX1600PN	Swivel Nut & Hand Knob	2
2	SPX1600D	Strainer Cover	1
3	SPX1600S	Strainer Cover Gasket	1
4	SPX1600M	Basket	1
5	SPX1700FG	Drain Plug With Gasket	2
6	SPX1600AA	Pump/Strainer Housing With Gasket	1
7	SPX1600R	Diffuser Gasket	1
8	SPX1616B	Diffuser	1
9	SPX1621C	Impeller	1
10	SPX1600Z2	Shaft Seal Assembly	1
11	SPX1600 T	Housing Gasket	1
12	SPX1611E5	Seal Plate	1
13	SPX1600F5	Motor Mounting Plate	1
14	SPX0125z44	Motor Cap Screws (Set of 4)	1
15	SPX1600Z 4	Housing Cap Screw	4
16	SPX2600G1	Mounting Foot (Includes Screws)	1
17	SPX1600Z5 2	Mounting Foot Screws (Set of 2)	1
-	SPXHKIT3	Quick Fix Kit (Includes # 3, 7, 10, 11 & Jack's Lube)	1
	POWER END		
-	SPX26 00Z1VSPE	Power End Assembly (Includes #7-14, motor and drive)	1

USE ONLY HAYWARD GENUINE REPLACEMENT PARTS