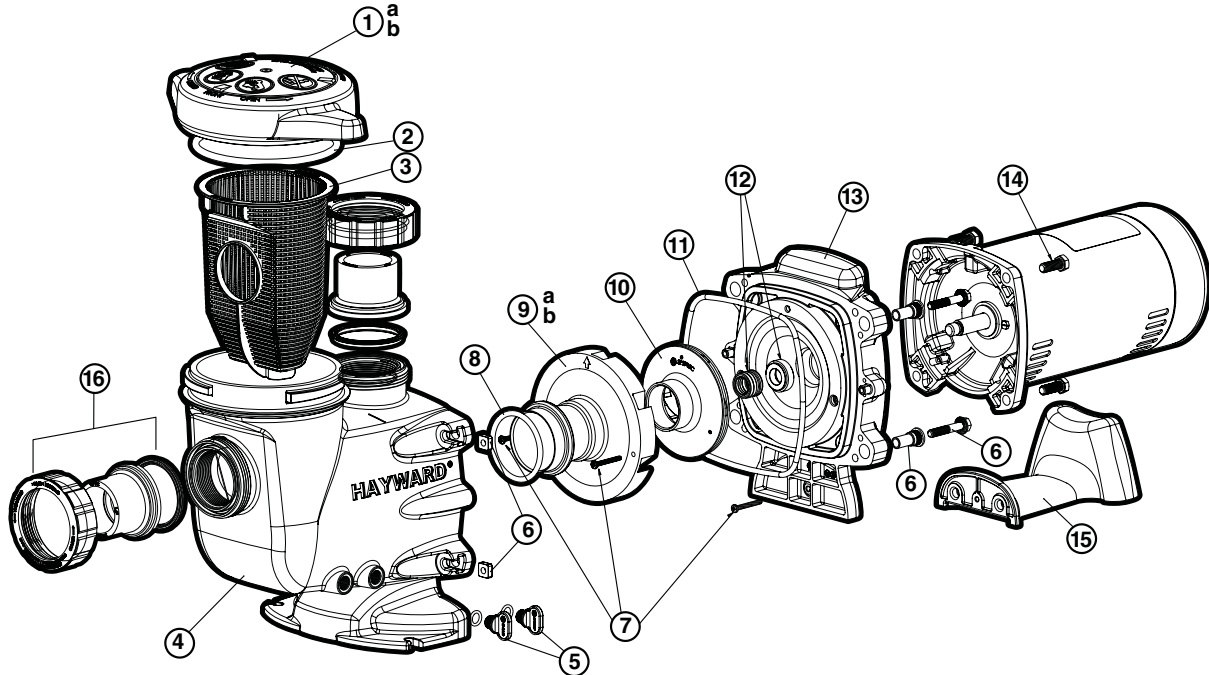


**Parts for Pump Models: SP2705X7(E), SP2707X10(2), SP2710X15(2), SP2715X20(2)**



| Ref. No. | Part No.    | Description  | Ctn. Qty. |
|----------|-------------|--|-----------|
| 1a       | SPX2700DLS  | Strainer Cover Kit (Includes Strainer Cover, Lock-Ring, O-Ring)  | 10        |
| 1b       | SPX2700DLSB | Strainer Cover Kit for Biguanide Sanitizers<br>(Includes Strainer Cover, Lock-Ring, O-Ring) <b>NOT</b> Pressure Testable | 10        |
| 2        | SPX2700Z4   | Strainer Cover O-Ring  | 10        |
| 3        | SPX2700M    | Strainer Basket  | 5         |
| 4        | SPX2700AA   | Pump Strainer Housing (Includes Strainer Cover Assembly, Basket and Drain Plugs)   | 1         |
| 5        | SPX4000FG   | Drain Plug with O-Ring   | 10        |
| 6        | SPX2700ZPAK | Housing Hardware Kit (Includes 4 Housing Bolts, Spacers and Nuts)  | 10        |
| 7        | SPX2700Z3   | Diffuser Screw Kit (Pack of 5)   | 1         |
| 8        | SX220Z2     | Diffuser O-Ring  | 10        |
| 9a       | SPX2700B    | Diffuser   | 5         |
| 9b       | SPX2700BE   | Diffuser (2 H.P. only)   | 5         |
| 11       | GMX600F     | Housing O-Ring   | 10        |
| 12       | SPX2700SA   | Shaft Seal Assembly  | 10        |
| 13       | SPX2700E    | Seal Plate   | 5         |
| 14       | SPX3200Z5   | Motor Bolt   | 50        |
| 15       | SPX2700G    | Motor Support  | 5         |

**OPTIONAL**

|    |              |  |   |
|----|--------------|--|---|
| 16 | SPX2700UNKIT | Union Connector Kit (Includes 2 Nuts, Connectors, Gaskets) | 1 |
| —  | SPX3200UG    | Union Gasket (Pack of 2)                                   | 1 |

**Parts listed below must be ordered for specific model and H.P.**

|    |           |                         |    |
|----|-----------|-------------------------|----|
| 10 | SPX2700C  | Impeller for 3/4 H.P.   | 10 |
| 10 | SPX2707CM | Impeller for 1 H.P.     | 10 |
| 10 | SPX2710CM | Impeller for 1 1/2 H.P. | 10 |
| 10 | SPX2715CM | Impeller for 2 H.P.     | 10 |

**MOTORS**

|  |             |   |   |
|--|-------------|---|---|
|  | SPX2705Z1M  | Motor, 3/4 H.P., Threaded Shaft (Single Phase, 60 Cycle, 115/208-230V)                  | 1 |
|  | SPX2705Z1ME | Motor, 3/4 H.P. Energy Efficient, Threaded Shaft (Single Phase, 60 Cycle, 115/208-230V) | 1 |
|  | SPX2707Z1M  | Motor, 1 H.P., Threaded Shaft (Single Phase, 60 Cycle, 115/208-230V)                    | 1 |
|  | SPX2710Z1M  | Motor, 1 1/2 H.P., Threaded Shaft (Single Phase, 60 Cycle, 115/208-230V)                | 1 |
|  | SPX2715Z1ME | Motor, 2 H.P., Threaded Shaft (Single Phase, 60 Cycle, 115/208-230V)                    | 1 |
|  | SPX2707Z2M  | Motor, 1 H.P., 2-Speed, Threaded Shaft (Single Phase, 60 Cycle, 230V)                   | 1 |
|  | SPX2710Z2M  | Motor, 1 1/2 H.P., 2-Speed, Threaded Shaft (Single Phase, 60 Cycle, 230V)               | 1 |
|  | SPX2715Z2M  | Motor, 2 H.P., 2-Speed, Threaded Shaft (Single Phase, 60 Cycle, 230V)                   | 1 |