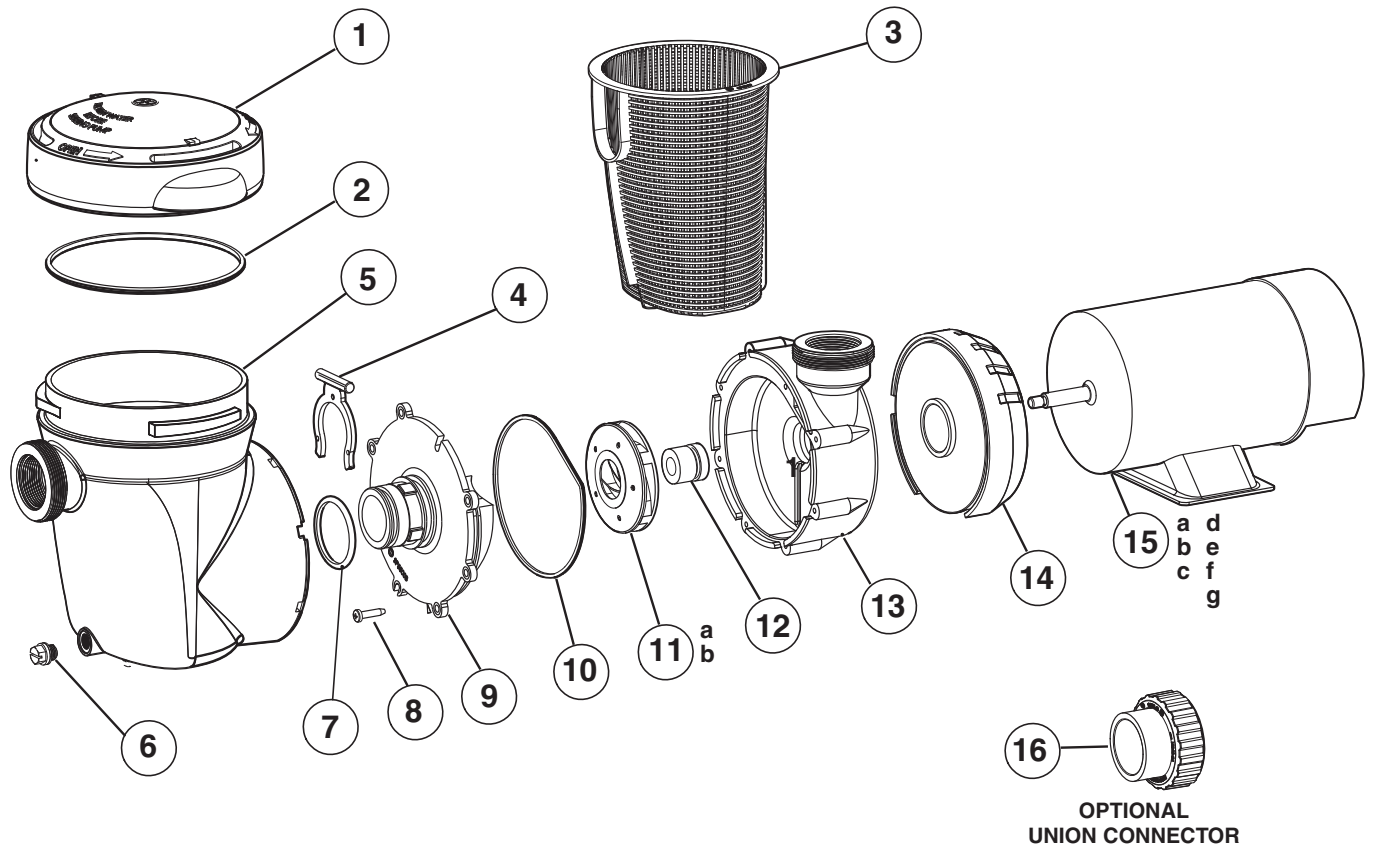


Parts for Pump Models: SP1591, SP1592, SP1593 Series



Ref. No.	Part No.	Description	Ctn. Qty.	No. Req'd
1	SPX5500D	Strainer Cover with Lock Ring and 'O' Ring	10	1
2	SPX5500H	Strainer Cover 'O' Ring	10	1
3	SPX5500F	Strainer Basket	10	1
4	SPX5500G	Strainer Retainer/'C' Clip	10	1
5	SPX5500C	Strainer Housing	1	1
6	SPX1700FG	Drain Plug with Gasket	10	1
7	SPX5500K	Strainer 'O' Ring	10	1
8	SPX0714Z48	Screw, #14 x 1/4" Type B Pan Head	80	1
9	SPX5500B	Pump Cover	4	1
10	SPX0710XZ5	Housing 'O' Ring	10	1
11a	SPX1500F	Impeller Assembly (reference part number on original equipment)	10	1
11b	SPX1500L	Impeller Assembly (reference part number on original equipment)	25	1
12	SPX1500KA	Shaft Seal Assembly	10	1
13	SPX5500A	Pump Housing	4	1
14	SPX5500E	Shroud Assembly	4	1
15a	SPX1510Z1E	3/4 H.P. Single Speed Motor with Switch, Flex 48	1	1
15b	SPX1510Z1XE	1 H.P. Single Speed Motor with Switch, Flex 48	1	1
15c	SPX1515Z1E	1 1/2 H.P. Single Speed Motor with Switch, Flex 48	1	1
15d	SPX1520Z1ESC	2 H.P. Single Speed Motor with Switch, Flex 48	1	1
15e	SPX1524Z1ESC	2 1/2 H.P. Single Speed Motor with Switch, Flex 48	1	1
15f	SPX1510Z24XE	1 H.P. Two Speed Motor with Switch, Flex 48	1	1
15g	SPX1515Z2ES	1 1/2 H.P. Two Speed Motor with Switch, Flex 48	1	1
16 (optional)	SP1500UNPAK2	Union Connector Assembly	50	2