

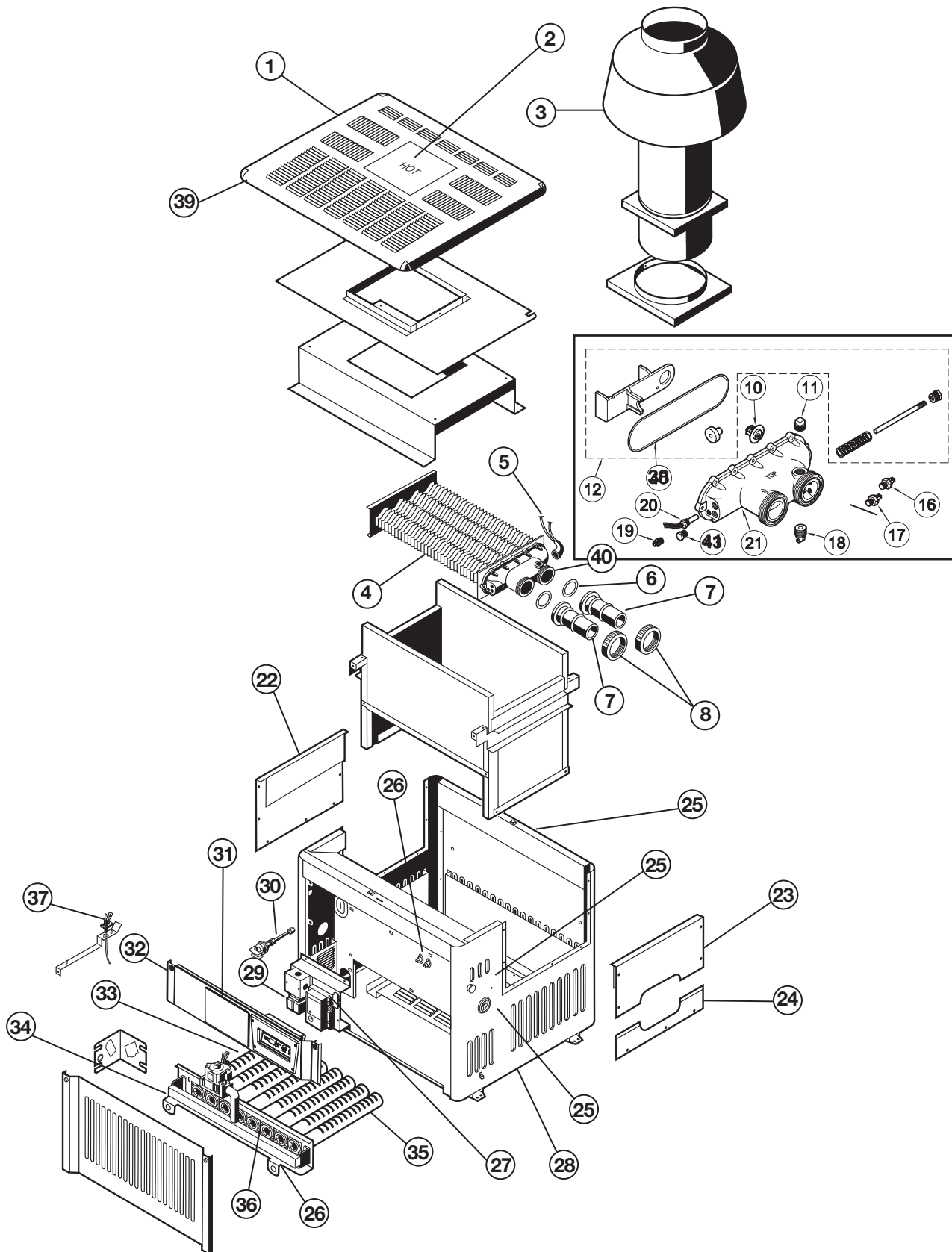


H-Series Low NOx

INDUCED DRAFT HEATER REPLACEMENT PARTS

Parts Diagram

Heating



H-Series Low NOx

INDUCED DRAFT HEATER REPLACEMENT PARTS



Heating

Parts Listing

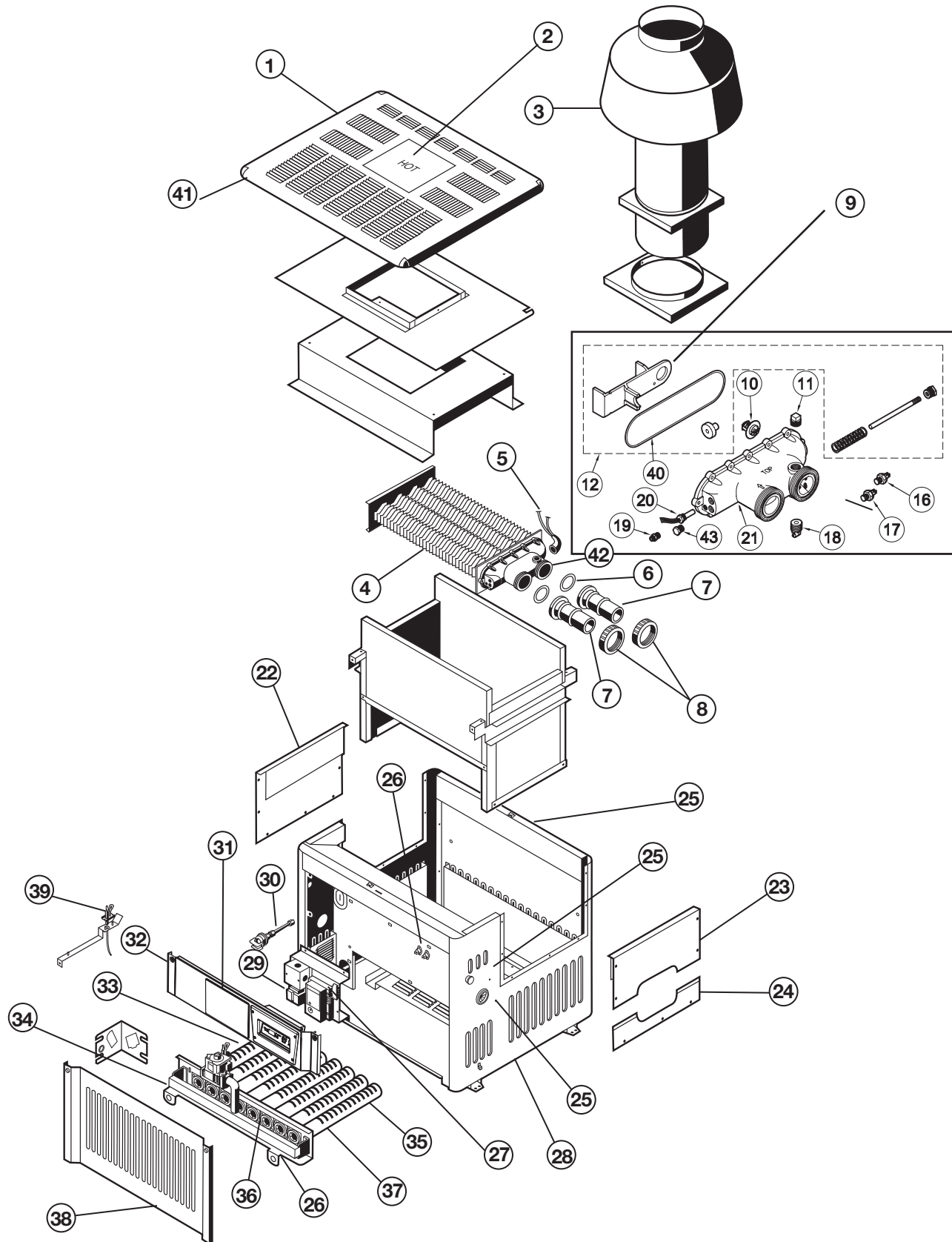
Ref. No.	Part Number	Description	Ref. No.	Part Number	Description	Ref. No.	Part Number	Description
1	HAXJKT1150	Jacket Top Assembly – 150	5	HAXWHA0007	Rear Wire Harness, DS	32	HAXCPA3253	Control Panel Assembly – 250 DS
1	HAXJKT1200	Jacket Top Assembly – 200	6	HAXFOR1930	O-Rings	32	HAXCPA3303	Control Panel Assembly – 300 DS
1	HAXJKT1251	Jacket Top Assembly – 250	7	HAXNIP1930	Flange Pipe Nipples	32	HAXCPA3353	Control Panel Assembly – 350 DS
1	HAXJKT1301	Jacket Top Assembly – 300	8	HAXNUT1930	Union Nuts	32	HAXCPA3403	Control Panel Assembly – 400 DS
1	HAXJKT1351	Jacket Top Assembly – 350	10	HAXFCT1930	Flow Control Thermostat	33	HAXGSV0004	Gas Valve, DS Propane
1	HAXJKT1401	Jacket Top Assembly – 400	11	CHXPLG1930	3/4" NPT Brass Plug	33	HAXGSV0005	Gas Valve, DS Natural Gas
2	HAXDHO1930	DHO Insert	12	HAXBPK1932	By-Pass Valve Kit	34	HAXMAN1150	Gas Manifold – 150
3	DHI150	Indoor Drafthood – 150	16	HAXHLI1930	Hi-Limit 135°F	34	HAXMAN1200	Gas Manifold – 200
3	DHI200	Indoor Drafthood – 200	17	HMXHLI2932	Hi-Limit 160°F	34	HAXMAN1250	Gas Manifold – 250
3	DHI250	Indoor Drafthood – 250	18	HAXDRV1930	Drain Valve Assembly	34	HAXMAN1300	Gas Manifold – 300
3	DHI300	Indoor Drafthood – 300	19	HAXPSA1930	Pressure Switch Adapter	34	HAXMAN1350	Gas Manifold – 350
3	DHI350	Indoor Drafthood – 350	20	IDXLTER1930	Thermistor	34	HAXMAN1400	Gas Manifold – 400
3	DHI400	Indoor Drafthood – 400	21	HAXFHD1931	Front Header Only	35	HAXBRN1930	Burner Tube
3	HWS150	High Wind Stack – 150	22	HAXLAC1930	Left Access Cover	36	HAXBON1930	Burner Orifice, Natural Gas
3	HWS200	High Wind Stack – 200	23	HAXURA1930	Upper Right Access Cover	36	HAXBON1931	Burner Orifice, Natural Gas HA
3	HWS250	High Wind Stack – 250	24	HAXLRA1931	Lower Right Access Cover	36	HAXBOP1931	Burner Orifice, Propane HA
3	HWS300	High Wind Stack – 300	25	HAXPHK1930	Plastic Hardware Kit	36	HAXBOP1932	Burner Orifice, Propane
3	HWS350	High Wind Stack – 350	26	HAXTLK1930	Temperature Limiters Kit	37	HAXIGN1931	Ignitor Assembly
3	HWS400	High Wind Stack – 400	27	IDXLTMB1931	6-Pole Terminal Block	38	HAXHOR1930	Header O-Ring
4	HAXHXA1153	Heat Exchanger Assembly – 150	28	CHXGRL1930	TA-2 Ground Lug	39	HAXCIA1930	Corner Piece Kit (4)
4	HAXHXA1203	Heat Exchanger Assembly – 200	29	CHXTRF1930	Transformer	40	IDXLFHA1930	Front Header Assembly
4	HAXHXA1253	Heat Exchanger Assembly – 250	30	HAXPSA1930	Pressure Switch Assembly	41	HAXPLG1931	3/8" Brass Plug
4	HAXHXA1303	Heat Exchanger Assembly – 300	31	HAXCPA1932	Control Bezel Assembly	—	HAXWHA0008	Main Wire Harness (not shown)
4	HAXHXA1353	Heat Exchanger Assembly – 350	32	HAXCPA3153	Control Panel Assembly – 150 DS	—	HAXWFN1930	Header Mounting Nut Kit (Pack of 12)
4	HAXHXA1403	Heat Exchanger Assembly – 400	32	HAXCPA3203	Control Panel Assembly – 200 DS			



H-Series – Electronic (ED2 Style)

HEATER REPLACEMENT PARTS

Parts Diagram



Heating

H-Series – Electronic (ED2 Style)

HEATER REPLACEMENT PARTS



Parts Listing

Ref. No.	Part Number	Description	Ref. No.	Part Number	Description	Ref. No.	Part Number	Description
1	HAXJKT1150	Jacket Top Assembly – 150	12	HAXBPK1932	By-Pass Valve Kit	37	HAXBMA1203	Burner – Manifold Ass'y 200 DS NA
1	HAXJKT1200	Jacket Top Assembly – 200	16	HAXHLI1930	Hi-Limit 135°F	37	HAXBMA1204	Burner – Manifold Ass'y 200 DS LP
1	HAXJKT1251	Jacket Top Assembly – 250	17	HMXHLI2932	Hi-Limit 160°F	37	HAXBMA1253	Burner – Manifold Ass'y 250 DS NA
1	HAXJKT1301	Jacket Top Assembly – 300	18	HAXDRV1930	Drain Valve Assembly	37	HAXBMA1254	Burner – Manifold Ass'y 250 DS LP
1	HAXJKT1351	Jacket Top Assembly – 350	19	HAXPSA1930	Pressure Switch Adapter	37	HAXBMA1303	Burner – Manifold Ass'y 300 DS NA
1	HAXJKT1401	Jacket Top Assembly – 400	20	IDXLTER1930	Thermistor	37	HAXBMA1304	Burner – Manifold Ass'y 300 DS LP
2	HAXDHO1930	DHO Insert	21	HAXFHD1931	Front Header Only	37	HAXBMA1353	Burner – Manifold Ass'y 350 DS NA
3	DHI150	Indoor Drafthood – 150	22	HAXLAC1930	Left Access Cover	37	HAXBMA1354	Burner – Manifold Ass'y 350 DS LP
3	DHI200	Indoor Drafthood – 200	23	HAXURA1930	Upper Right Access Cover	37	HAXBMA1403	Burner – Manifold Ass'y 400 DS NA
3	DHI250	Indoor Drafthood – 250	24	HAXLRA1931	Lower Right Access Cover	37	HAXBMA1404	Burner – Manifold Ass'y 400 DS LP
3	DHI300	Indoor Drafthood – 300	25	HAXPHK1930	Plastic Hardware Kit	38	HAXFAD1150	Front Access Door Assembly – 150
3	DHI350	Indoor Drafthood – 350	26	HAXTLK1930	Temperature Limiters Kit	38	HAXFAD1200	Front Access Door Assembly – 200
3	DHI400	Indoor Drafthood – 400	27	IDXLTM1931	6-Pole Terminal Block	38	HAXFAD1250	Front Access Door Assembly – 250
3	HWS150	High Wind Stack – 150	28	CHXGRL1930	TA-2 Ground Lug	38	HAXFAD1300	Front Access Door Assembly – 300
3	HWS200	High Wind Stack – 200	29	CHXTRF1930	Transformer	38	HAXFAD1350	Front Access Door Assembly – 350
3	HWS250	High Wind Stack – 250	30	HAXPSA1930	Pressure Switch Assembly	38	HAXFAD1400	Front Access Door Assembly – 400
3	HWS300	High Wind Stack – 300	31	HAXCPA1932	Control Bezel Assembly	39	HAXIGN1931	Ignitor Assembly
3	HWS350	High Wind Stack – 350	33	HAXGSV0004	Gas Valve, DS Propane	40	HAXHOR1930	Header O-Ring
3	HWS400	High Wind Stack – 400	33	HAXGSV0005	Gas Valve, DS Natural Gas	41	HAXCIA1930	Corner Piece Kit (4)
4	HAXHXA1153	Heat Exchanger Assembly – 150	34	HAXMAN1150	Gas Manifold – 150	42	HAXFHA1930	Front Header Assembly
4	HAXHXA1203	Heat Exchanger Assembly – 200	34	HAXMAN1200	Gas Manifold – 200	43	HAXPLG1931	3/8" Brass Plug
4	HAXHXA1253	Heat Exchanger Assembly – 250	34	HAXMAN1250	Gas Manifold – 250	—	HAXWHA0008	Main Wire Harness (not shown)
4	HAXHXA1303	Heat Exchanger Assembly – 300	34	HAXMAN1300	Gas Manifold – 300	—	IDXL2FSK1930	Complete Fuse Kit (not shown)
4	HAXHXA1353	Heat Exchanger Assembly – 350	34	HAXMAN1350	Gas Manifold – 350			
4	HAXHXA1403	Heat Exchanger Assembly – 400	34	HAXMAN1400	Gas Manifold – 400			
5	HAXWHA0007	Rear Wire Harness, DS	35	HAXBRN1930	Burner Tube			
6	HAXFOR1930	O-Rings	36	HAXBON1930	Burner Orifice, Natural Gas			
7	HAXNIP1930	Flange Pipe Nipples	36	HAXBON1931	Burner Orifice, Natural Gas HA			
8	HAXNUT1930	Union Nuts	36	HAXBOP1931	Burner Orifice, Propane HA			
9	HAXBPI1930 / HAXBPI1932		36	HAXBOP1932	Burner Orifice, Propane			
10	HAXFCT1930	Flow Control Thermostat	37	HAXBMA1153	Burner – Manifold Ass'y 150 DS NA			
11	CHXPLG1930	3/4" NPT Brass Plug	37	HAXBMA1154	Burner – Manifold Ass'y 150 DS LP			

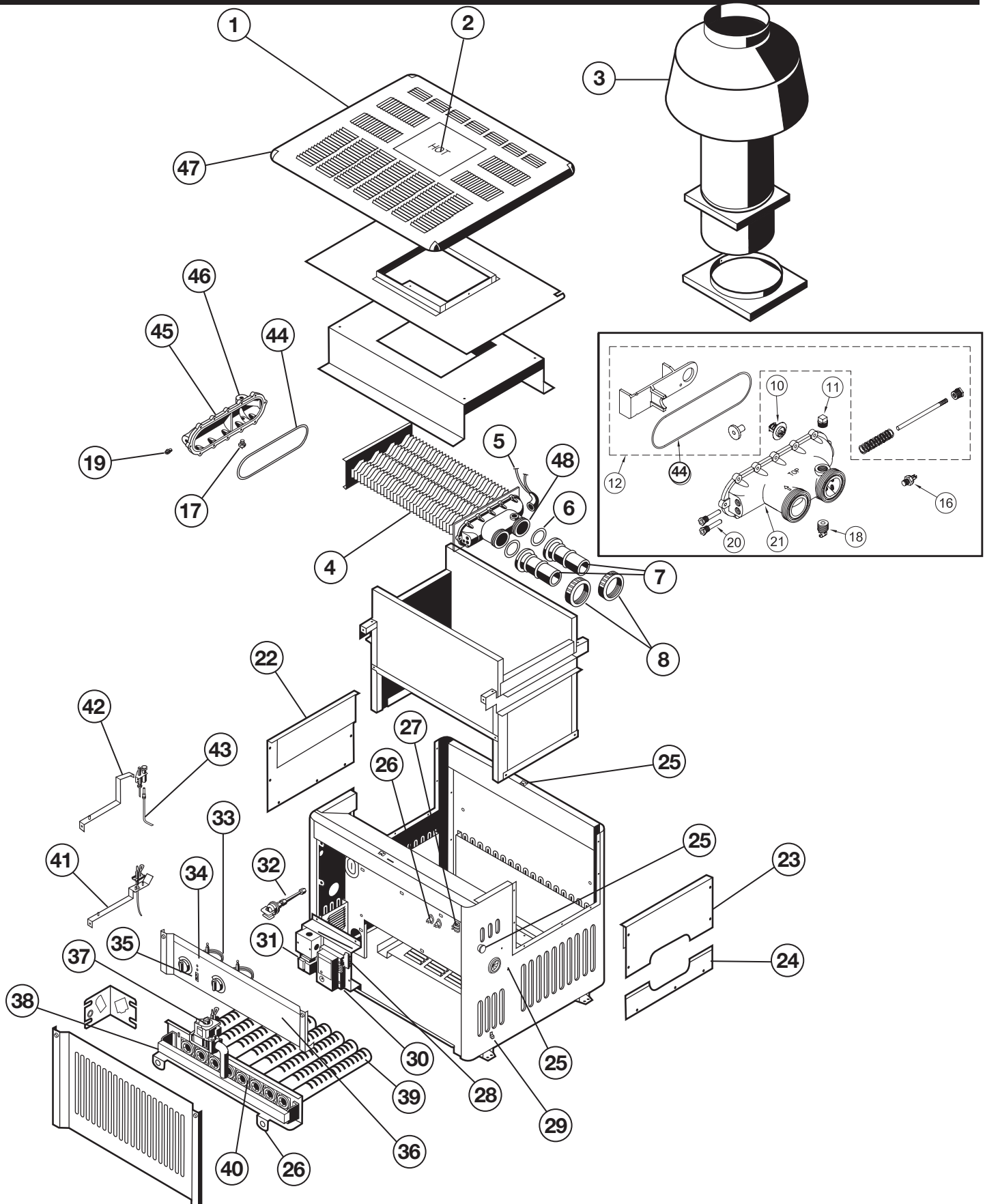
Heating



H-Series – Millivolt/Electronic (ED1 Style)

HEATER REPLACEMENT PARTS

Parts Diagram



Heating

H-Series – Millivolt/Electronic (ED1 Style)

HEATER REPLACEMENT PARTS



Heating

Parts Listing

Ref. No.	Part Number	Description	Ref. No.	Part Number	Description	Ref. No.	Part Number	Description
1	HAXJKT1150	Jacket Top Assembly – 150	10	HAXFCT1930	Flow Control Thermostat	36	HAXCPA2301 [Ⓐ]	Control Panel Assembly – 300 DS
1	HAXJKT1200	Jacket Top Assembly – 200	11	CHXPGLG1930	3/4" NPT Brass Plug	36	HAXCPA2351 [Ⓐ]	Control Panel Assembly – 350 DS
1	HAXJKT1250	Jacket Top Assembly – 250	12	HAXBPK1931 ^{†††}	By-Pass Valve Kit	36	HAXCPA2401 [Ⓐ]	Control Panel Assembly – 400 DS
1	HAXJKT1300	Jacket Top Assembly – 300		HAXBPK1932 ^{††}	By-Pass Valve Kit	37	HAXGSV0001	Gas Valve, MV Natural Gas
1	HAXJKT1350	Jacket Top Assembly – 350	16	HAXHLI1930	Hi-Limit 135° F	37	HAXGSV0003	Gas Valve, MV Propane
1	HAXJKT1400	Jacket Top Assembly – 400	17	HMXHLI2932	Hi-Limit 160° F	37	HAXGSV0004	Gas Valve, DS Propane
1	HAXJKT1251 [*]	Jacket Top Assembly – 250	18	HAXDRV1930	Drain Valve Assembly	37	HAXGSV0005	Gas Valve, DS Natural Gas
1	HAXJKT1301 ^{**}	Jacket Top Assembly – 300	19	CHXPSA1930	Pressure Switch Adapter	38	HAXMAN1150	Gas Manifold – 150
1	HAXJKT1351 ^{***}	Jacket Top Assembly – 350	20	CHXTBW1930	Bulb Well	38	HAXMAN1200	Gas Manifold – 200
1	HAXJKT1401 [†]	Jacket Top Assembly – 400		HAXTBW1930 ^{ⒶⒷ}	Bulb Well, Cotherm	38	HAXMAN1250	Gas Manifold – 250
2	HAXDHO1930	DHO Insert	21	HAXFHD1930	Front Header Only	38	HAXMAN1300	Gas Manifold – 300
3	DHI150	Indoor Drafthood – 150		HAXFHD1931 ^{††}	Front Header Only	38	HAXMAN1350	Gas Manifold – 350
3	DHI200	Indoor Drafthood – 200	22	HAXLAC1930	Left Access Cover	38	HAXMAN1400	Gas Manifold – 400
3	DHI250	Indoor Drafthood – 250	23	HAXURA1930	Upper Right Access Cover	39	HAXBRN1930	Burner Tube
3	DHI300	Indoor Drafthood – 300	24	HAXLRA1931	Lower Right Access Cover	40	HAXBON1930	Burner Orifice, Natural Gas
3	DHI350	Indoor Drafthood – 350	25	HAXPHK1930	Plastic Hardware Kit	40	HAXBON1931	Burner Orifice, Natural Gas HA
3	DHI400	Indoor Drafthood – 400	26	HAXTLK1930	Temperature Limiters Kit	40	HAXBOP1930	Burner Orifice, Propane
3	HWS150	High Wind Stack – 150	27	HAXTBK1931	2-Pole Terminal Block	40	HAXBOP1931	Burner Orifice, Propane HA
3	HWS200	High Wind Stack – 200	28	HAXTBK1933	4-Pole Terminal Block	41	HAXIGN1931	Ignitor Assembly
3	HWS250	High Wind Stack – 250	29	CHXGRL1930	TA-2 Ground Lug	42	HAXPLT1931	Pilot – Natural Gas
3	HWS300	High Wind Stack – 300	30	HAXMOD1930	Control Module	42	HAXPLT1932	Pilot – Propane
3	HWS350	High Wind Stack – 350	31	CHXTRF1930	Transformer	43	HAXTRK1930	Pilot Tube Replacement Kit
3	HWS400	High Wind Stack – 400	32	HAXPSA1930	Pressure Switch Assembly	44	HAXHOR1930	Header O-Ring
4	HAXHXA1153	Heat Exchanger Assembly – 150	33	HAXTST1930	Thermostat	45	HAXRHD1930 ^{†††}	Rear Header Only
4	HAXHXA1203	Heat Exchanger Assembly – 200	34	HAXLDK1930	LED Kit	46	HAXPLG1930	1/4" NPT Brass Plug
4	HAXHXA1253	Heat Exchanger Assembly – 250	35	CHXTSW1930	System Switch Single	47	HAXCIA1930	Corner Piece Kit (4)
4	HAXHXA1303	Heat Exchanger Assembly – 300	35	CHXTSW1931	System Switch Dual	48	HAXFHA1930 ^{†††}	Front Header Assembly
4	HAXHXA1353	Heat Exchanger Assembly – 350	36	HAXCPA2150 [Ⓐ]	Control Panel Assembly – 150 MV		HAXFHA1931	Front Header Assembly
4	HAXHXA1403	Heat Exchanger Assembly – 400	36	HAXCPA2200 [Ⓐ]	Control Panel Assembly – 200 MV	—	HAXWHA0005	Wire Harness, Main DS (not shown)
5	HAXWHA0002	Rear Wire Harness, MV	36	HAXCPA2250 [Ⓐ]	Control Panel Assembly – 250 MV	—	HAXWHA0004	Wire Harness, Control Panel (not shown)
	HAXWHA0006 ^{††}	Rear Wire Harness, MV	36	HAXCPA2300 [Ⓐ]	Control Panel Assembly – 300 MV		HAXWHA0001	Wire Harness, Main MV (not shown)
5	HAXWHA0003	Rear Wire Harness, DS	36	HAXCPA2350 [Ⓐ]	Control Panel Assembly – 350 MV	—	HAXRFK1930	Retro Fit Kit (not shown)
	HAXWHA0007 ^{††}	Rear Wire Harness, DS	36	HAXCPA2400 [Ⓐ]	Control Panel Assembly – 400 MV	—	HAXWFN1930	Header Mounting Nut Kit (Pack of 12)
6	HAXFOR1930	O-Rings	36	HAXCPA2151 [Ⓐ]	Control Panel Assembly – 150 DS	—	CHXMSI1930	Manual Piezo Spark Igniter
7	HAXNIP1930	Flange Pipe Nipples	36	HAXCPA2201 [Ⓐ]	Control Panel Assembly – 200 DS	—	CHXGEN1930	Millivolt Pilot Generator
8	HAXNUT1930	Union Nuts	36	HAXCPA2251 [Ⓐ]	Control Panel Assembly – 250 DS			

NOTES: *Used, Started at Serial No. 00421078
 **Used, Started at Serial No. 0032018
 ***Used, Started at Serial No. 00424651
 †Used, Started at Serial No. 00424851

††Used on heaters made after 10/28/00
 †††Used on heaters made before 10/28/00
 Ⓐ Used on heaters made after 5/8/98
 ⒶⒷ Used on heaters made after 6/1/01